



NER GROUP CO.,LIMITED

Yantai Bonway Manufacturer Co.,Ltd



Y、YKK、YKS系列中大型三相异步电动机

Y、YKK、YKS SERIES MEDIUM AND LARGE ASYNCHRONOUS MOTORS

》》 今天要比昨天做得更好

Y系列笼型高压三相异步电动机 (H355-630mm) 6000V IP23 技术数据2

Y Series Squirrel Cage High Voltage Three Phase Asynchronous Motor (H355-630mm) 6000V IP23 technical specification

型号 Model	功率 Output(KW)	同步转速 Synchronous Speed(r/min)	额定电流 Rated Current(A)	效率 Efficiency(%)	功率因素 Power Factor (COS φ)	堵转电流 倍数 Locked rotor current (A)	堵转转矩 倍数 Locked rotor Torque Multiple	最大转矩 倍数 Max.Torque multiple
Y4503-6	560	1000	66.9	94.7	0.85	6.0	0.8	1.8
Y4504-6	630		75.2	94.8				
Y4501-8	315	750	40.6	93.4	0.8	5.5	0.8	1.8
Y4502-8	355		45	93.5				
Y4503-8	400		51.3	93.7				
Y4504-8	450		57	93.8				
Y4501-10	220	600	29.9	92.1	0.77	5.5	0.8	1.8
Y4502-10	250		33.4	92.3				
Y4503-10	280		37.3	92.5				
Y4504-10	315		41.4	92.6				
Y4505-10	355		46.6	92.8				
Y4504-12	220	500	31.7	91.4	0.73	5.5	0.8	1.8
Y4505-12	250		35.9	91.7				
Y5001-2	1120	3000	128	95.5	0.88	7.0	0.6	1.8
Y5002-2	1250		143	95.6				
Y5003-2	1400		160	95.7				
Y5004-2	1600		182.6	95.8				
Y5001-4	1000	1500	116.1	95.3	0.87	6.5	0.7	1.8
Y5002-4	1120		128	95.4				
Y5003-4	1250		143	95.5				
Y5004-4	1400	160	95.6					
Y5001-6	710	1000	84.6	95	0.85	6.0	0.8	1.8
Y5002-6	800		95.2	95.1				
Y5003-6	900		107	95.2				
Y5004-6	1000		118.8	95.3				
Y5001-8	500	750	63	94.3	0.81	5.5	0.8	1.8
Y5002-8	560		69.6	94.4				
Y5003-8	630		78.2	94.5				
Y5004-8	710	88.1	94.6					
Y5001-10	400	600	51.6	93.3	0.80	5.5	0.8	1.8
Y5002-10	450		58	93.4				
Y5003-10	500		64.3	93.6				
Y5004-10	560		71.9	93.7				
Y5005-10	630		80.8	93.8				
Y5001-12	280	500	39.3	92.7	0.74	5.5	0.8	1.8
Y5002-12	315		43.6	92.8				
Y5003-12	355		49	93				
Y5004-12	400		55	93.3				
Y5005-12	450		61.8	93.4				

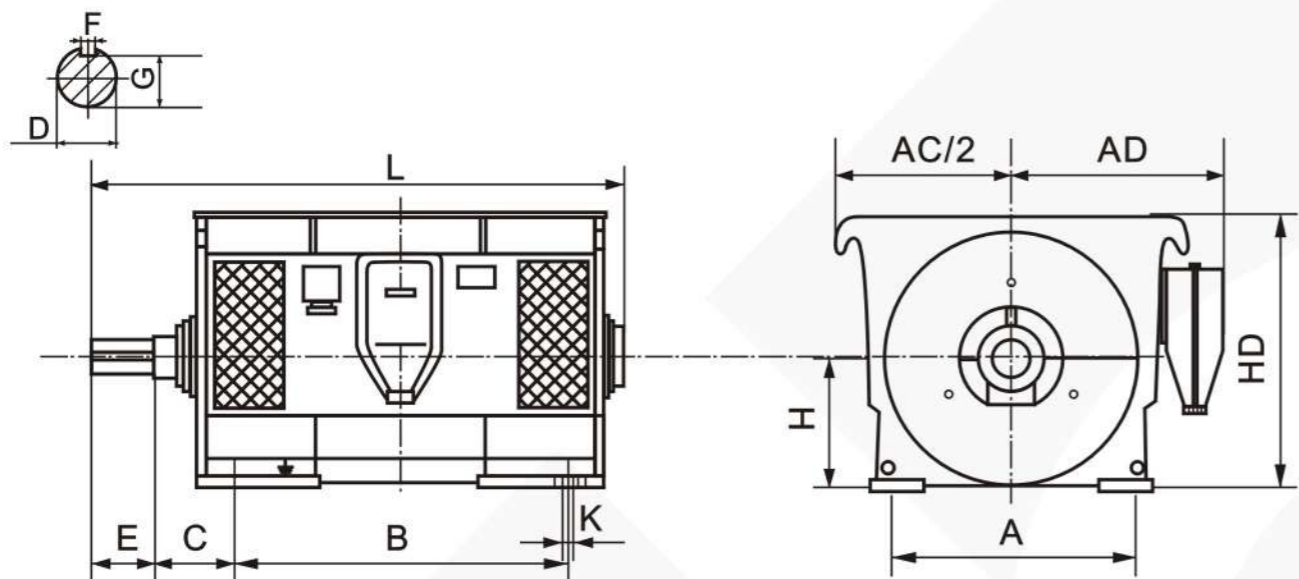
Y系列笼型高压三相异步电动机 (H355-630mm) 6000V IP23 技术数据3

Y Series Squirrel Cage High Voltage Three Phase Asynchronous Motor (H355-630mm) 6000V IP23 technical specification

型号 Model	功率 Output(KW)	同步转速 Synchronous Speed(r/min)	额定电流 Rated Current(A)	效率 Efficiency(%)	功率因素 Power Factor (COS φ)	堵转电流 倍数 Locked rotor current (A)	堵转转矩 倍数 Locked rotor Torque Multiple	最大转矩 倍数 Max.Torque multiple
Y5601-2	1800	3000	205	95.9	0.88	7.0	0.6	1.8
Y5602-2	2000		228	96.0				
Y5603-2	2240		255	96.1				
Y5601-4	1600	1500	181	95.7	0.89	6.5	1.8	
Y5602-4	1800		203	95.8				
Y5603-4	2000		225	95.9				
Y5601-6	1120	1000	131.1	95.4	0.86	6.0	1.8	
Y5602-6	1250		146.5	95.5				
Y5603-6	1400		163.9	95.6				
Y5601-8	800	750	96.8	94.7	0.84	6.0	1.8	
Y5602-8	900		108.8	94.8				
Y5603-8	1000		120.7	94.9				
Y5601-10	710	600	88.6	94.0	0.82	6.0	1.8	
Y5602-10	800		99.7	94.2				
Y5603-10	900		112	94.3				
Y5601-12	500	500	65	93.7	0.79	6.0	1.8	
Y5602-12	560		72.7	93.8				
Y5603-12	630		81.7	93.9				
Y6301-2	2500	3000	281	96.2	0.89	7.0	0.6	1.8
Y6302-2	2800		314.4	96.3				
Y6303-2	3150		354	96.3				
Y6301-4	2240	1500	252.3	96.0	0.86	6.5	0.7	1.8
Y6302-4	2500		281.3	96.1				
Y6303-4	2800		314.7	96.2				
Y6301-6	1600	1000	187.1	95.7	0.86	6.0	0.7	1.8
Y6302-6	1800		210	95.8				
Y6303-6	2000		233.4	95.9				
Y6301-8	1120	750	135	95.0	0.84	6.0	0.7	1.8
Y6302-8	1250		150.6	95.1				
Y6303-8	1400		168.5	95.2				
Y6304-8	1600	192.3	95.3					
Y6301-10	1000	600	124.3	94.4	0.82	6.0	0.7	1.8
Y6302-10	1120		139	94.6				
Y6303-10	1250		154.7	94.8				
Y6304-10	1400	173	94.9					
Y6301-12	710	500	92	94.0	0.79	6.0	0.7	1.8
Y6302-12	800		103.4	94.2				
Y6303-12	900		116.4	94.3				
Y6304-12	1000		129	94.4				

Y系列6kV IP23 (H355-630mm) IMB3 安装与外型尺寸表

Y series 6KV IP23 (H350-630mm) IMB3 Outline and mounting dimensions tablet



单位: mm

机座号 Frame	极数 No. of poles	安装尺寸 mounting dimensions								外型尺寸 Outline dimensions				
		A	B	C	D	E	F	G	H	K	AC	AD	HD	L
355	2	630	900	315	80	170	22	71	355	28	1100	800	1170	1870
	4-6				100	210	28	90						1890
400	2	710	1000	375	90	170	25	81	400	35	1150	850	1330	2090
	4-8			335	110	28	100	1980						
450	2	800	1120	400	100	210	28	90	450	35	1300	900	1475	2340
	4			355	120									32
	6-12			130	250	32	119	2790						
500	2	900	1250	560	110	210	28	100	500	42	1420	965	1655	2790
	4			475	130	32	119	2550						
	6-12			140	250	36	128	3020						
560	2	1000	1400	560	130	300	40	147	560	42	1600	1100	1850	3020
	4			500	150									36
	6-12			160	300	40	147	3220						
630	2	1120	1600	560	140	250	36	128	630	48	1800	1200	2050	3220
	4			530	170	40	157	3100						
	6-12			180	300	45	165							

1) 当采用滑动轴承时, C尺寸偏差为 ± 4.0不包括轴向窜动量。
注: 图中尺寸仅供参考, 订货时以制造厂提供的外形及安装尺寸图为准。

Y系列笼型高压三相异步电动机 (H355-630mm) 6000V IP23 技术数据1

Y Series Squirrel Cage High Voltage Three Phase Asynchronous Motor (H355-630mm) 6000V IP23 technical specification

型号 Model	功率 Output(KW)	同步转速 Synchronous Speed(r/min)	额定电流 Rated Current(A)	效率 Efficiency(%)	功率因素 Power Factor (COS φ)	堵转电流 倍数 Locked rotor current (A)	堵转转矩 倍数 Locked rotor Torque Multiple	最大转矩 倍数 Max.Torque multiple
Y3551-2	220	3000	26.5	92.8	0.86	7.0	0.6	1.8
Y3552-2	250		30.1	92.9				
Y3553-2	280		33.7	93.1				
Y3554-2	315		37.7	93.4				
Y3555-2	355		42.4	93.7				
Y3556-2	400		47.6	94.1				
Y3553-4	220	1500	26.4	93.3	0.86	6.5	0.8	1.8
Y3554-4	250		30.0	93.4				
Y3555-4	280		33.5	93.5				
Y3556-4	315		37.7	93.6				
Y3555-6	220		27.8	93				
Y3556-6	250		31.4	93.3				
Y4001-2	450	3000	53.3	94.4	0.86	7.0	0.6	1.8
Y4002-2	500		58.5	94.6				
Y4003-2	560		65.4	94.7				
Y4004-2	630		73.4	94.9				
Y4001-4	355		42.3	93.8				
Y4002-4	400		47.6	94				
Y4003-4	450	1500	53.5	94.2	0.86	6.5	0.8	1.8
Y4004-4	500		58.6	94.3				
Y4005-4	560		65.5	94.5				
Y4002-6	280		34.7	93.5				
Y4003-6	315		39	93.7				
Y4004-6	355		43.8	93.9				
Y4005-6	400	49.3	94					
Y4003-8	220	750	29.2	92.9	0.78	5.5	0.8	1.8
Y4004-8	250		32.7	93				
Y4005-8	280		36.6	93.2				
Y4501-2	710		82.7	95				
Y4502-2	800		92.9	95.2				
Y4503-2	900		104.5	95.3				
Y4504-2	1000	114.6	95.4					
Y4501-4	630	3000	73.5	94.8	0.87	7.0	0.6	1.8
Y4502-4	710		82.7	95				
Y4503-4	800		93	95.1				
Y4504-4	900		104	95.2				
Y4501-6	450		54.7	94.3				
Y4502-6	500		59.9	94.5				

YKK系列笼型高压三相异步电动机 (H450-630mm) 10000V IP44/54 技术数据2

YKK Series Squirrel Cage High Voltage Three Phase Asynchronous Motor (H450-630mm) 10000V IP44/54 technical specification

型号 Model	功率 Output(KW)	同步转速 Synchronous Speed(r/min)	额定电流 Rated Current(A)	效率 Efficiency(%)	功率因素 Power Factor (COS φ)	堵转电流 倍数 Locked rotor current (A)	堵转转矩 倍数 Locked rotor Torque Multiple	最大转矩 倍数 Max.Torque multiple				
YKK5001-6	400	1000	37.0	93.9	0.83	6.0	0.7	1.8				
YKK5002-6	450		40.9	94.1								
YKK5003-6	500		45.9	94.4								
YKK5004-6	560		51.6	94.6								
YKK5005-6	630		58.1	94.7	0.84							
YKK5601-6	710		64.4	94.9								
YKK5602-6	800		71.4	95.1	0.85							
YKK5603-6	900		79.8	95.3								
YKK5604-6	1000		88.0	95.4	0.86							
YKK6301-6	1120		98.2	95.7								
YKK6302-6	1250		112.1	95.8								
YKK6303-6	1400		126.0	95.9								
YKK5001-8	250		750	19.6	92.8				0.77	6.0	0.7	1.8
YKK5002-8	280			28.6	93.1							
YKK5003-8	315	31.8		93.2								
YKK5004-8	355	35.7		93.4								
YKK5005-8	400	39.0		93.8	0.79							
YKK5006-8	450	43.6		93.9								
YKK5601-8	500	47.0		94.4	0.82							
YKK5602-8	560	52.8		94.6								
YKK5603-8	630	59.5		94.7								
YKK5604-8	710	66.8		94.8								
YKK6301-8	800	73.2		95.	0.83							
YKK6302-8	900	81.8		95.2								
YKK6303-8	1000	91.8		95.3								
YKK5003-10	220	20.8		92.4		0.74	5.5	0.7	1.8			
YKK5004-10	250	26.5	92.6									
YKK5005-10	280	29.4	92.8									
YKK5006-10	315	33.1	93.0									
YKK5601-10	355	36.2	93.2	0.77	6.0	0.7	1.8					
YKK5602-10	400	40.1	93.4									
YKK5603-10	450	44.3	93.5	0.78								
YKK5604-10	500	49.8	93.7									
YKK5605-10	560	56.0	93.9	0.8								
YKK6301-10	630	61.2	94.3									
YKK6302-10	710	68.7	94.5									
YKK6303-10	800	76.3	94.6									
YKK6304-10	900	85.3	94.7									

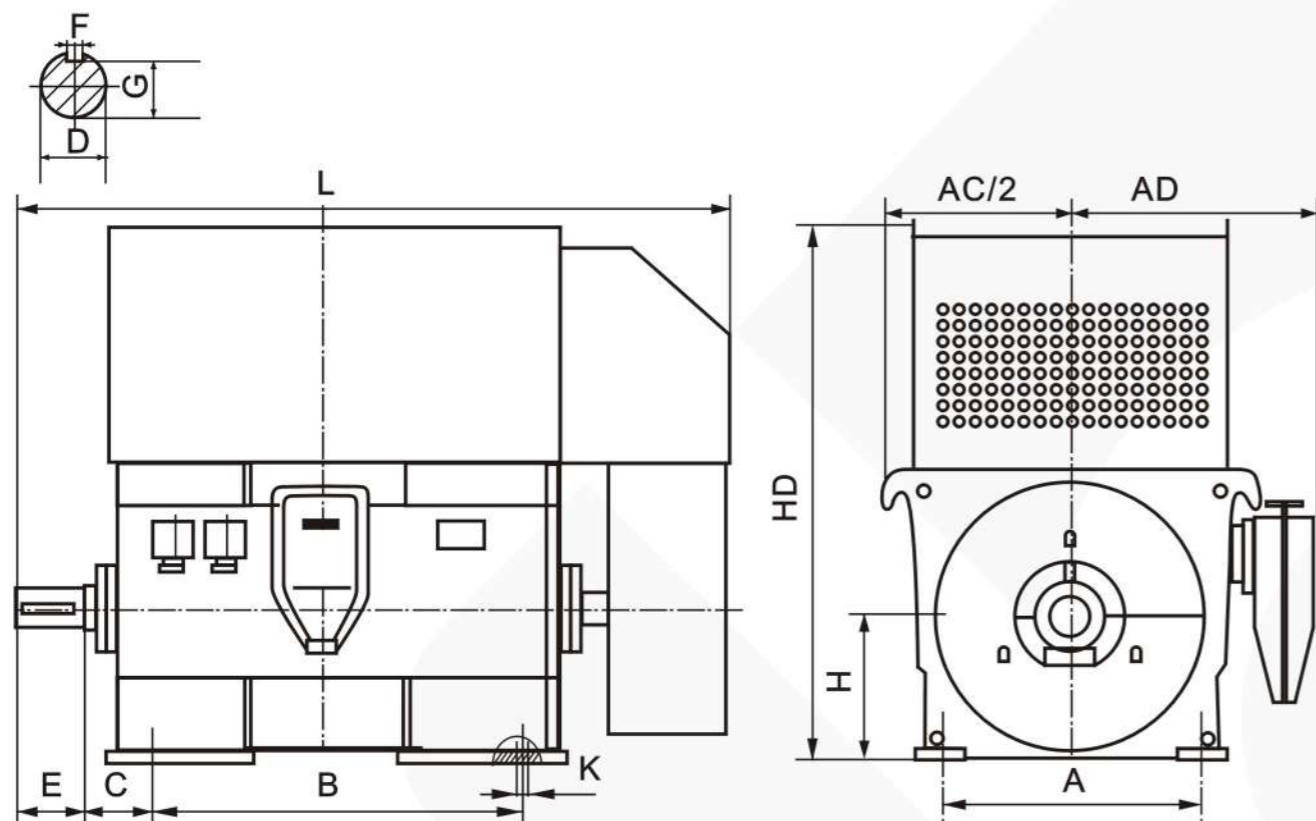
YKK系列笼型高压三相异步电动机 (H450-630mm) 10000V IP44/54 技术数据3

YKK Series Squirrel Cage High Voltage Three Phase Asynchronous Motor (H450-630mm) 10000V IP44/54 technical specification

型号 Model	功率 Output(KW)	同步转速 Synchronous Speed(r/min)	额定电流 Rated Current(A)	效率 Efficiency(%)	功率因素 Power Factor (COS φ)	堵转电流 倍数 Locked rotor current (A)	堵转转矩 倍数 Locked rotor Torque Multiple	最大转矩 倍数 Max.Torque multiple
YKK5601-12	250	500	27.0	92.3	0.73	6.0	0.7	1.8
YKK5602-12	280		30.4	92.5				
YKK5603-12	315		34.1	92.7				
YKK5604-12	355		38.3	92.9				
YKK5605-12	400		42.4	93.2				
YKK6301-12	450		46.7	93.5	0.74			
YKK6302-12	500		52.5	93.7				
YKK6303-12	560		59.0	93.9				
YKK6304-12	630		66.2	94.3				

YKK 系列10KV IP44/54 (H450-630mm) IMB3外型与安装尺寸表

YKK series 10KV IP44/54 (H450-630mm) IMB3 Outline and mounting dimensions tablet.



单位: mm

机座号 Frame	极数 No. of poles	安装尺寸 mounting dimensions								外型尺寸 Outline dimensions				
		A	B	C	D	E	F	G	H	K	AC	AD	HD	L
450	2	800	1120	400	90	170	25	81	450	35	1420	1100	1900	2600
	4			355	110		28	100						
	6			355	110		28	100						
500	2	900	1250	560	100	210	32	90	500	42	1600	1150	2200	2900
	4			475	120			109						
	6-10			475	120			109						
560	2	1000	1400	560	130	250	36	119	560	48	1800	1250	2400	3200
	4			500	150			138						
	6-12			500	160			147						
630	2	1120	1600	560	140	300	45	128	630	48	2000	1300	2700	3500
	4			530	170			157						
	6-12			530	180			165						

1) 当采用滑动轴承时, C尺寸偏差为±4.0不包括轴向窜动量。
注: 图中尺寸仅供参考, 订货时以制造厂提供的外形及安装尺寸图为准。

YKK系列笼型高压三相异步电动机 (H450-630mm) 10000V IP44/54 技术数据1

YKK Series Squirrel Cage High Voltage Three Phase Asynchronous Motor (H450-630mm) 10000V IP44/54 technical specification

型号 Model	功率 Output(KW)	同步转速 Synchronous Speed(r/min)	额定电流 Rated Current(A)	效率 Efficiency(%)	功率因素 Power Factor (COS φ)	堵转电流 倍数 Locked rotor current (A)	堵转转矩 倍数 Locked rotor Torque Multiple	最大转矩 倍数 Max.Torque multiple
YKK4501-2	280	3000	25.1	93.8	0.87	7.0	0.6	1.8
YKK4502-2	315		28.2	94.1				
YKK4503-2	355		31.7	94.3				
YKK4504-2	400		35.1	94.4				
YKK4505-2	450		39.3	94.5				
YKK4506-2	500		44.2	94.6				
YKK5001-2	560		49.2	94.7	0.88			
YKK5002-2	630		55.3	94.8				
YKK5003-2	710		62.2	94.9				
YKK5004-2	800		69.1	95.0				
YKK5005-2	900		77.2	95.2				
YKK5601-2	1000		85.0	95.4				
YKK5602-2	1120		95.1	95.5				
YKK5603-2	1250		108.6	95.6				
YKK6301-2	1600		120.6	95.7				
YKK6302-2	1800		133.9	95.8				
YKK6303-2	2000		149.7	96.0				
YKK4501-4	280		1500	25.5	93.3			
YKK4502-4	315	28.7		93.5				
YKK4503-4	355	32.2		93.9				
YKK4504-4	400	35.5		94.5				
YKK4505-4	450	39.9		94.2				
YKK4506-4	500	44.8		94.4				
YKK5001-4	560	49.6		95.0	0.87			
YKK5002-4	630	55.8		95.1				
YKK5003-4	710	62.0		95.2				
YKK5004-4	800	68.8		95.3				
YKK5005-4	900	77.0		95.4				
YKK5601-4	1000	84.9		95.5		0.89		
YKK5602-4	1120	92.9		95.7				
YKK5603-4	1250	108.3		95.8				
YKK6301-4	1400	121.7		95.9				
YKK6302-4	1600	135.1		96.0				
YKK6303-4	1800	151.2		96.1				
YKK4503-6	250	1000		23.9	92.8	0.82	6.0	0.7
YKK4504-6	280		26.5	93.1				
YKK4505-6	315		29.8	93.3				
YKK4506-6	355		33.5	93.5				

YKS系列笼型高压三相异步电动机 (H450-630mm) 10000V IP44/54 技术数据2

YKS Series Squirrel Cage High Voltage Three Phase Asynchronous Motor (H450-630mm) 10000V IP44/54 technical specification

型号 Model	功率 Output(KW)	同步转速 Synchronous Speed(r/min)	额定电流 Rated Current(A)	效率 Efficiency(%)	功率因素 Power Factor (COS φ)	堵转电流 倍数 Locked rotor current (A)	堵转转矩 倍数 Locked rotor Torque Multiple	最大转矩 倍数 Max.Torque multiple				
YKS5001-6	500	1000	37.0	93.9	0.83	6.0	0.7	1.8				
YKS5002-6	560		40.9	94.1								
YKS5003-6	630		45.9	94.4								
YKS5004-6	710		51.6	94.6								
YKS5005-6	800		58.1	94.7	0.84							
YKS5601-6	900		64.4	94.9								
YKS5602-6	1000		71.4	95.1	0.85							
YKS5603-6	1120		79.8	95.3								
YKS5604-6	1250		88.0	95.4								
YKS6301-6	1400		98.2	95.7	0.86							
YKS6302-6	1600		112.1	95.8								
YKS6303-6	1800		126.0	95.9								
YKS5001-8	315		750	19.6	92.8				0.77	6.0	0.7	1.8
YKS5002-8	355			28.6	93.1							
YKS5003-8	400	31.8		93.2								
YKS5004-8	450	35.7		93.4								
YKS5005-8	500	39.0		93.8	0.79							
YKS5006-8	560	43.6		93.9								
YKS5601-8	630	47.0		94.4	0.82							
YKS5602-8	710	52.8		94.6								
YKS5603-8	800	59.5		94.7								
YKS5604-8	900	66.8		94.8								
YKS6301-8	1000	73.2		95.	0.83							
YKS6302-8	1120	81.8		95.2								
YKS6303-8	1250	91.8		95.3								
YKS5003-10	280	600		20.8	92.4	0.74	5.5	0.7	1.8			
YKS5004-10	315		26.5	92.6								
YKS5005-10	355		29.4	92.8								
YKS5006-10	400		33.1	93.0								
YKS5601-10	450		36.2	93.2	0.77							
YKS5602-10	500		40.1	93.4								
YKS5603-10	560		44.3	93.5	0.78							
YKS5604-10	630		49.8	93.7								
YKS5605-10	710		56.0	93.9								
YKS6301-10	800		61.2	94.3	0.8							
YKS6302-10	900		68.7	94.5								
YKS6303-10	1000		76.3	94.6								
YKS6304-10	1120		85.3	94.7								

YKS系列笼型高压三相异步电动机 (H450-630mm) 10000V IP44/54 技术数据3

YKS Series Squirrel Cage High Voltage Three Phase Asynchronous Motor (H450-630mm) 10000V IP44/54 technical specification

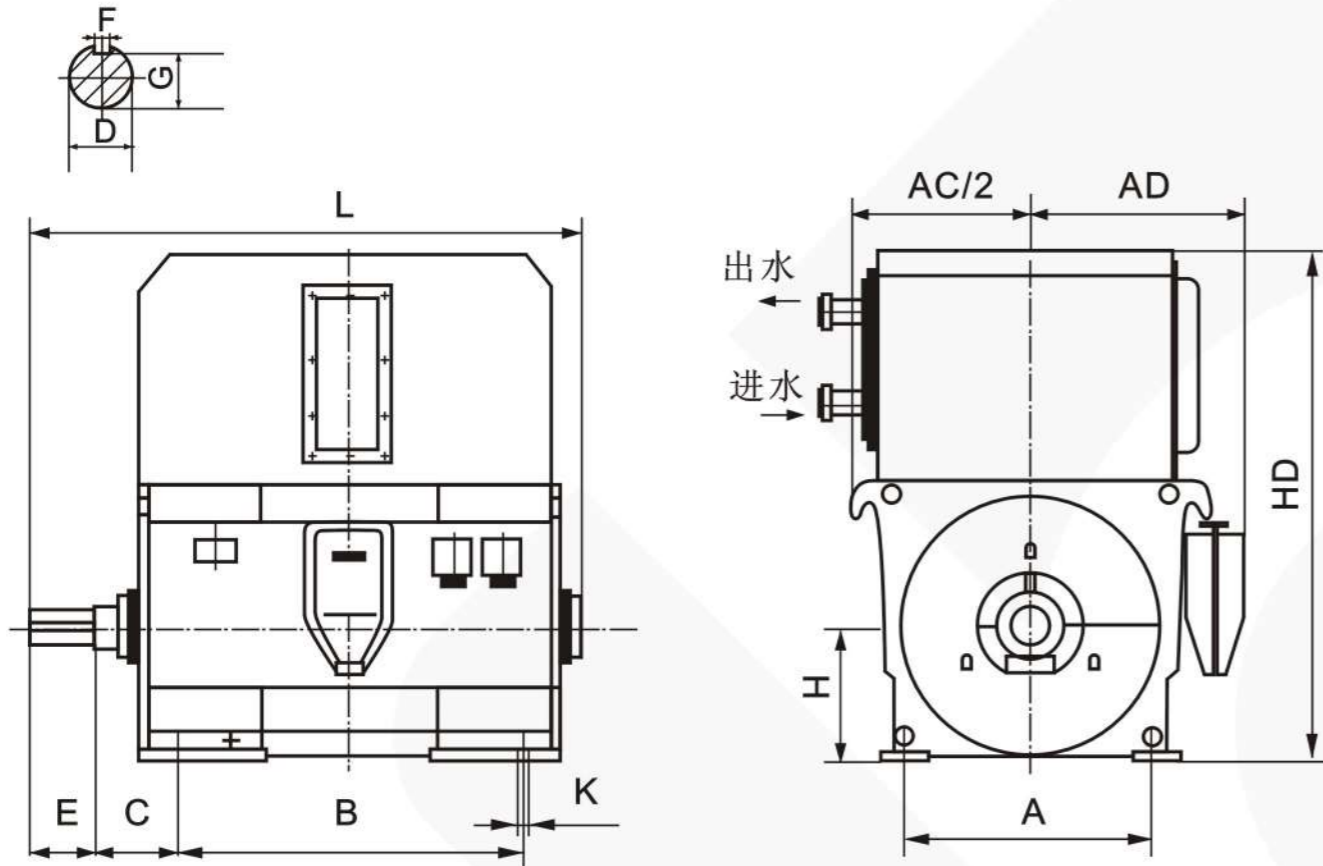
型号 Model	功率 Output(KW)	同步转速 Synchronous Speed(r/min)	额定电流 Rated Current(A)	效率 Efficiency(%)	功率因素 Power Factor (COS φ)	堵转电流 倍数 Locked rotor current (A)	堵转转矩 倍数 Locked rotor Torque Multiple	最大转矩 倍数 Max.Torque multiple
YKS5601-12	315	500	27.0	92.3	0.73	6.0	0.7	1.8
YKS5602-12	355		30.4	92.5				
YKS5603-12	400		34.1	92.7				
YKS5604-12	450		38.3	92.9				
YKS5605-12	500		42.4	93.2				
YKS6301-12	560		46.7	93.5				
YKS6302-12	630		52.5	93.7	0.74			
YKS6303-12	710		59.0	93.9				
YKS6304-12	800		66.2	94.3				

YKS 系列10KV IP44/54 (H450-630mm)外型与安装尺寸表

YKS series 10KV IP44/54 (H450-630mm) Outline and mounting dimensions tablet.

YKS系列笼型高压三相异步电动机 (H450-630mm) 10000V IP44/54 技术数据1

YKS Series Squirrel Cage High Voltage Three Phase Asynchronous Motor (H450-630mm) 10000V IP44/54 technical specification



单位: mm

机座号 Frame	极数 No. of poles	安装尺寸 mounting dimensions								外型尺寸 Outline dimensions				
		A	B	C	D	E	F	G	H	K	AC	AD	HD	L
450	2	800	1120	400	90	170	25	81	450	35	1420	1100	2150	2340
	4			355	110		28	100						2180
	6			355	110	100		2180						
500	2	900	1250	560	100	210	32	90	500	42	1600	1150	2500	2790
	4			475	120			109						2550
	6-10			475	120	109		2550						
560	2	1000	1400	560	130	250	36	119	560	48	1800	1250	2550	3020
	4			500	150			138						2900
	6-12			500	160	147		2900						
630	2	1120	1600	560	140	300	45	128	630	48	2000	1300	2850	3220
	4			530	170			157						3100
	6-12			530	180	165		3100						

1) 当采用滑动轴承时, C尺寸偏差为±4.0不包括轴向窜动量。
注: 图中尺寸仅供参考, 订货时以制造厂提供的外形及安装尺寸图为准。

型号 Model	功率 Output(KW)	同步转速 Synchronous Speed(r/min)	额定电流 Rated Current(A)	效率 Efficiency(%)	功率因素 Power Factor (COS φ)	堵转电流 倍数 Locked rotor current (A)	堵转转矩 倍数 Locked rotor Torque Multiple	最大转矩 倍数 Max.Torque multiple
YKS4501-2	355	3000	25.1	93.8	0.87	7.0	0.6	1.8
YKS4502-2	400		28.2	94.1				
YKS4503-2	450		31.7	94.3				
YKS4504-2	500		35.1	94.4				
YKS4505-2	560		39.3	94.5				
YKS4506-2	630		44.2	94.6				
YKS5001-2	710		49.2	94.7	0.88			
YKS5002-2	800		55.3	94.8				
YKS5003-2	900		62.2	94.9				
YKS5004-2	1000		69.1	95.0				
YKS5005-2	1120		77.2	95.2				
YKS5601-2	1250		85.0	95.4	0.89			
YKS5602-2	1400		95.1	95.5				
YKS5603-2	1600		108.6	95.6				
YKS6301-2	1800		120.6	95.7				
YKS6302-2	2000	133.9	95.8					
YKS6303-2	2240	149.7	96.0	0.90				
YKS4501-4	355	1500	25.5		93.3	7.0	0.7	1.8
YKS4502-4	400		28.7		93.5			
YKS4503-4	450		32.2		93.9			
YKS4504-4	500		35.5		94.5			
YKS4505-4	560		39.9	94.2				
YKS4506-4	630		44.8	94.4				
YKS5001-4	710		49.6	95.0	0.87			
YKS5002-4	800		55.8	95.1				
YKS5003-4	900		62.0	95.2				
YKS5004-4	1000		68.8	95.3				
YKS5005-4	1120		77.0	95.4				
YKS5601-4	1250		84.9	95.5	0.89			
YKS5602-4	1400		92.9	95.7				
YKS5603-4	1600		108.3	95.8				
YKS6301-4	1800		121.7	95.9				
YKS6302-4	2000	135.1	96.0					
YKS6303-4	2240	151.2	96.1	0.82				
YKS4503-6	315	1000	23.9		92.8	6.0	0.7	1.8
YKS4504-6	355		26.5		93.1			
YKS4505-6	400		29.8		93.3			
YKS4506-6	450		33.5		93.5			

Y系列笼型高压三相异步电动机 (H450-630mm) 10000V IP23 技术数据1

Y Series Squirrel Cage High Voltage Three Phase Asynchronous Motor (H450-630mm) 10000V IP23 technical specification

型号 Model	功率 Output(KW)	同步转速 Synchronous Speed(r/min)	额定电流 Rated Current(A)	效率 Efficiency(%)	功率因素 Power Factor (COS φ)	堵转电流 倍数 Locked rotor current (A)	堵转转矩 倍数 Locked rotor Torque Multiple	最大转矩 倍数 Max.Torque multiple				
Y4501-2	355	3000	25.1	93.8	0.87	7.0	0.6	1.8				
Y4502-2	400		28.2	94.1								
Y4503-2	450		31.7	94.3								
Y4504-2	500		35.1	94.4								
Y4505-2	560		39.3	94.5								
Y4506-2	630		44.2	94.6								
Y5001-2	710		49.2	94.7	0.88							
Y5002-2	800		55.3	94.8								
Y5003-2	900		62.2	94.9								
Y5004-2	1000		69.1	95.0								
Y5005-2	1120		77.2	95.2								
Y5601-2	1250		85.0	95.4					0.89			
Y5602-2	1400		95.1	95.5								
Y5603-2	1600		108.6	95.6								
Y6301-2	1800		120.6	95.7								
Y6302-2	2000		133.9	95.8								
Y6303-2	2240		149.7	96.0								
Y4501-4	355		1500	25.5	93.3				0.86	7.0	0.7	1.8
Y4502-4	400	28.7		93.5								
Y4503-4	450	32.2		93.9								
Y4504-4	500	35.5		94.0								
Y4505-4	560	39.9		94.2								
Y4506-4	630	44.8		94.4								
Y5001-4	710	49.6		95.0	0.88							
Y5002-4	800	55.8		95.1								
Y5003-4	900	62.0		95.2								
Y5004-4	1000	68.8		95.3								
Y5005-4	1120	77.0		95.4								
Y5601-4	1250	84.9		95.5		0.87						
Y5602-4	1400	92.9		95.7								
Y5603-4	1600	108.3		95.8								
Y6301-4	1800	121.7		95.9								
Y6302-4	2000	135.1		96.0								
Y6303-4	2240	151.2		96.1								
Y4503-6	315	1000		23.9	92.8	0.82	6.0	0.7	1.8			
Y4504-6	355		26.5	93.1								
Y4505-6	400		29.8	93.3								
Y4506-6	450		33.5	93.5								
Y5001-6	500		37.0	93.9								
Y5002-6	560		40.9	94.1								
Y5003-6	630		45.9	94.4								
Y5004-6	710		51.6	94.6								
Y5005-6	800		1000	58.1	94.7	0.84				6.0	0.7	1.8
Y5601-6	900			64.4	94.9							
Y5602-6	1000			71.4	95.1							
Y5603-6	1120			79.8	95.3							
Y5604-6	1250	88.0		95.4								
Y6301-6	1400	98.2		95.7								
Y6302-6	1600	112.1	95.8									
Y6303-6	1800	126.0	95.9									
Y5001-8	315	750	19.6	92.8	0.77	6.0	0.6	1.8				
Y5002-8	355		28.6	93.1								
Y5003-8	400		31.8	93.2								
Y5004-8	450		35.7	93.4								
Y5005-8	500		39.0	93.8								
Y5006-8	560		43.6	93.9								
Y5601-8	630		47.0	94.4	0.82							
Y5602-8	710		52.8	94.6								
Y5603-8	800		59.5	94.7								
Y5604-8	900		66.8	94.8								
Y6301-8	1000		73.2	95.								
Y6302-8	1120		81.8	95.2								
Y6303-8	1250	91.8	95.3									
Y5003-10	280	600	20.8	92.4	0.74	5.5	0.7	1.8				
Y5004-10	315		26.5	92.6								
Y5005-10	355		29.4	92.8								
Y5006-10	400		33.1	93.0								
Y5601-10	450		36.2	93.2								
Y5602-10	500		40.1	93.4								
Y5603-10	560		44.3	93.5								
Y5604-10	630		49.8	93.7								
Y5605-10	710		56.0	93.9								
Y6301-10	800		61.2	94.3	0.78							
Y6302-10	900		68.7	94.5								
Y6303-10	1000		76.3	94.6								
Y6304-10	1120	85.3	94.7									
Y5601-12	315	500	27.0	92.3		0.73	6.0	0.7	1.8			
Y5602-12	355		30.4	92.5								
Y5603-12	400		34.1	92.7								
Y5604-12	450		38.3	92.9								
Y5605-12	500		42.4	93.2								
Y6301-12	560		46.7	93.5								
Y6302-12	630		52.5	93.7								
Y6303-12	710		59.0	93.9								
Y6304-12	800		66.2	94.3								

Y系列笼型高压三相异步电动机 (H450-630mm) 10000V IP23 技术数据2

Y Series Squirrel Cage High Voltage Three Phase Asynchronous Motor (H450-630mm) 10000V IP23 technical specification

型号 Model	功率 Output(KW)	同步转速 Synchronous Speed(r/min)	额定电流 Rated Current(A)	效率 Efficiency(%)	功率因素 Power Factor (COS φ)	堵转电流 倍数 Locked rotor current (A)	堵转转矩 倍数 Locked rotor Torque Multiple	最大转矩 倍数 Max.Torque multiple				
Y5005-6	800	1000	58.1	94.7	0.84	6.0	0.7	1.8				
Y5601-6	900		64.4	94.9								
Y5602-6	1000		71.4	95.1								
Y5603-6	1120		79.8	95.3								
Y5604-6	1250		88.0	95.4								
Y6301-6	1400		98.2	95.7								
Y6302-6	1600		112.1	95.8								
Y6303-6	1800		126.0	95.9								
Y5001-8	315		750	19.6	92.8				0.77	6.0	0.6	1.8
Y5002-8	355			28.6	93.1							
Y5003-8	400			31.8	93.2							
Y5004-8	450			35.7	93.4							
Y5005-8	500	39.0		93.8								
Y5006-8	560	43.6		93.9								
Y5601-8	630	47.0		94.4	0.82							
Y5602-8	710	52.8		94.6								
Y5603-8	800	59.5		94.7								
Y5604-8	900	66.8		94.8								
Y6301-8	1000	73.2		95.								
Y6302-8	1120	81.8		95.2								
Y6303-8	1250	91.8	95.3									
Y5003-10	280	600	20.8	92.4	0.74	5.5	0.7	1.8				
Y5004-10	315		26.5	92.6								
Y5005-10	355		29.4	92.8								
Y5006-10	400		33.1	93.0								
Y5601-10	450		36.2	93.2								
Y5602-10	500		40.1	93.4								
Y5603-10	560		44.3	93.5								
Y5604-10	630		49.8	93.7								
Y5605-10	710		56.0	93.9								
Y6301-10	800		61.2	94.3	0.78							
Y6302-10	900		68.7	94.5								
Y6303-10	1000		76.3	94.6								
Y6304-10	1120	85.3	94.7									
Y5601-12	315	500	27.0	92.3		0.73	6.0	0.7	1.8			
Y5602-12	355		30.4	92.5								
Y5603-12	400		34.1	92.7								
Y5604-12	450		38.3	92.9								
Y5605-12	500		42.4	93.2								
Y6301-12	560		46.7	93.5								
Y6302-12	630		52.5	93.7								
Y6303-12	710		59.0	93.9								
Y6304-12	800		66.2	94.3								

概述

Y、YKK、YKS系列10000V笼型高压三相异步电动机（机座号710-1000mm）、6000V笼型高压三相异步电动机（机座号710-1000mm）是我公司新近推出通用型系列产品，其结构合理、工艺先进，具有效率高、噪声低、振动小、运行可靠、安装维护方便等优点，是各个领域理想的驱动装置。

电动机的功率等级、安装尺寸、电气性能均符合国家标准GB755及IEC标准的有关规定。

结构特点

- 电动机采用箱式结构，机座由钢板焊接而成，重量轻、刚度好。
- Y系列为采用自然通风冷却，机座上部安装有防护顶罩，拆装方便，便于电动机的维修。
- YKK系列为封闭、电机顶部带有空-空冷却器的笼型异步电机。
- YKS系列为封闭、电机顶部带有空-水冷却器的笼型异步电机。
- 定子绕组采用F级耐热绝缘材料、端部绑扎可靠，并经真空压力浸漆使其具有良好的绝缘性能和机械强度。
- 转子采用可靠的铸铝或铜导体的鼠笼型结构。轴承有滚动轴承和滑动轴承两种形式，依电动机的转速和功率大小而定。

用途

电动机可用于驱动各种通用机械，如：压缩机、水泵、风机、破碎机、切削机床、运输机械及其它机械设备。在矿山、机械工业、发电厂等各种工矿企业中作原动机。用以拖动鼓风机、磨煤机、轧钢机、卷扬机等应在订货时说明。

标准形式

电压：10000V,6000V,50Hz

防护等级：Y系列为IP23（若采用管道通风可制成IP44）YKK、YKS系列为IP44或IP54

绝缘等级：F

工作制：S1（连续）

冷却方法：Y系列为IC01（或IC11,IC21,IC31）YKK系列为IC611 YKS系列为IC81W

安装型式：IMB3

电机接法：Y（接线盒内三个出线端子，从主轴伸端视之接线盒位于机座右侧）

Summarize:

Y,YKK,YKS Series 10000V squirrel cage high voltage three phase asynchronous motor (710-1000mm), 6000V squirrel cage high voltage three phase asynchronous motor (710-1000mm) are general series product which our company recently promoted, its structure is reasonable, with advanced techniques, high efficiency, low noise, slight vibrates, reliable performance, easy installation and convenient maintenance, which is the ideal drive for variety of industrial fields.

The electric motor power rank, mounting dimensions and electrical specification all conform to national standards GB755 and the IEC standard.

Frame Advantages:

- The electric motor uses the box-type structure, its seats uses welded steel plate with light weight and good rigidity.
- The YR series uses natural ventilation cooling, protection cap has been fixed on the top of the seats which is disassembled conveniently, with the advantage for the electric motor service.
- YKK series is totally enclosed type with air to air cooler at the top of the motor.
- YKS series is totally enclosed type with air to water cooler at the top of the motor.
- The stator winding uses F Class heat-resisting insulation material, the ends bind reliably, have the good insulating ability and the mechanical strength after the VPI procedure.
- The rotor uses reliable cast-aluminium or copper conductor squirrel cage structure. The bearing has two types—rolling bearing and sliding bearing, depends on rotary speed and power of the motor.

Application:

Our electric motor could be widely used to drive all variety of general machinery, for example: compressor, water pump, air blower, breaker, cuts the engine bed, transport machinery and other mechanical devices. It could be used to makes the prime mover in the mine, mechanical industry, power plant and other kinds of industry and mining enterprises. Pls instruct when ordering the motor uses in driving air blower, coal mill, steel rolling mill and hoist.

Standard motor specification:

Voltage: 10000V,6000V,50Hz

Protection Class: Y series is IP23 (IP44 is available if uses pipeline to ventilate) YKK, YKS series is IP44 or IP54.

Insulation Class: F

Working style: S1 (continuously)

Cooling method: Y series is IC01 (or IC11, IC21, IC31) YKK series is IC611, YKS series is IC81W

Mounting type: IMB3

Connection: Y (star type, three connectors in terminal box, terminal box is located at the right side of the motor frame viewing from the shaft extension end).

使用环境

- 海拔：不超过1000m
- 环境空气温度：不超过40℃且无严重尘埃，最低环境空气温度对采用滚动轴承的电动机为-15℃，对采用滑动轴承的电动机为5℃。
- 空气中无腐蚀性和爆炸性气体（也可制成湿热或高原地区电动机）

Use environment:

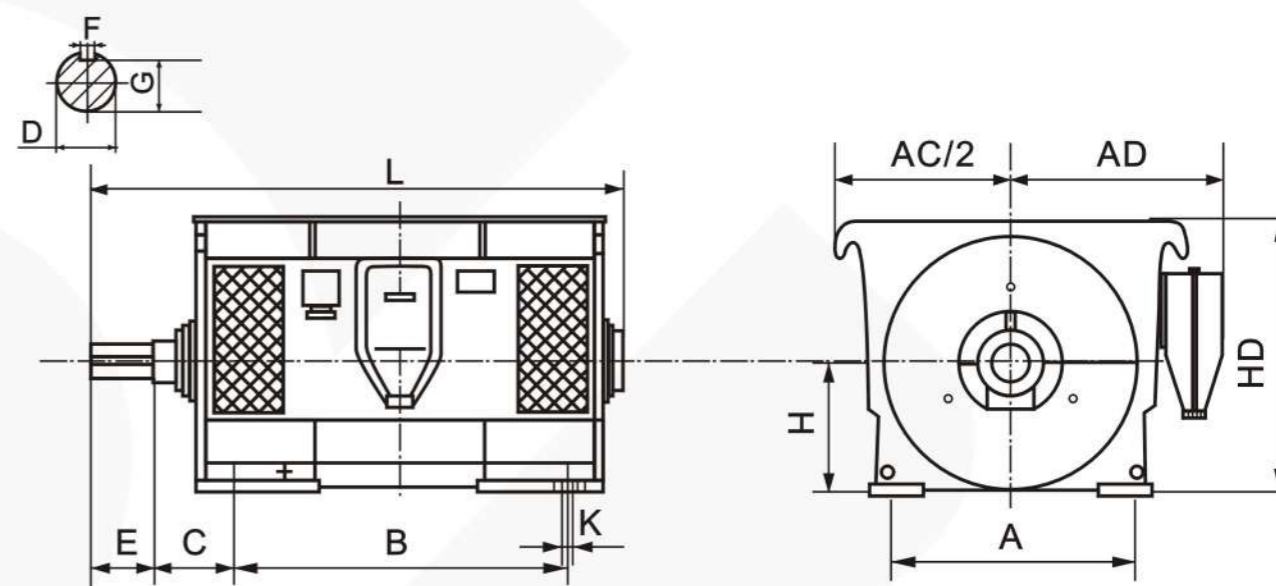
Sea level: No more than 1000 meters

Ambient temperature: No more than 40 degree without heavy dust, the lowest ambient Temperature is -15℃ if uses rolling bearing, 5℃ if uses sliding bearing.

Without corrosive and explosive gas in the air. (humid tropics or plateau area electric motor is also available.)

Y系列10kV IP23 (H450-630mm) 外型与安装尺寸表

Y series 10KV IP23 (H450-630mm) Outline and mounting dimensions tablet.



单位: mm

机座号 Frame	极数 No. of poles	安装尺寸 mounting dimensions								外型尺寸 Outline dimensions				
		A	B	C	D	E	F	G	H	K	AC	AD	HD	L
450	2	800	1120	400	90	170	25	81	450	35	1300	1050	1550	2340
	4			355	110		28	100						2180
	6			560	100	210	90	2790						
500	2	900	1250	560	100	250	109	500	42	1420	1100	1700	2550	
	4			475	120		32						119	3020
	6-10			500	130	36	138						560	1600
560	2	1000	1400	560	150	300	40	147	560	48	1800	1300	2050	3220
	4			500	160		40	147						2900
	6-12			530	170	300	45	165						3100
630	2	1120	1600	560	140	300	36	128	630	48	1800	1300	2050	3220
	4			530	170		40	157						3100
	6-12			530	180	45	165	3100						

1) 当采用滑动轴承时，C尺寸偏差为±4.0不包括轴向窜动量。
注：图中尺寸仅供参考，订货时以制造厂提供的外形及安装尺寸图为准。

Y/YKS系列笼型高压三相异步电动机 (H710-1000mm) 10000V IP23/IP54 技术数据1

Y/YKS Series Squirrel Cage High Voltage Three Phase Asynchronous Motor (H710-1000mm) 10000V IP23/IP54 technical specification

型号 Model	功率 Output(KW)	同步转速 Synchronous Speed(r/min)	额定电流 Rated Current(A)	效率 Efficiency(%)	功率因素 Power Factor (COS φ)	堵转电流 倍数 Locked rotor current (A)	堵转转矩 倍数 Locked rotor Torque Multiple	最大转矩 倍数 Max.Torque multiple				
Y710-6-4	2500	1500	175.2	95.8	0.86	7.0	0.5	1.8				
Y710-7-4	2800		196.0	95.9								
Y710-8-4	3150		220.3	96.								
Y710-9-4	3550		248.0	96.1								
Y800-6-4	4000		275.9	96.2	0.87							
Y800-7-4	4500		310.4	96.2								
Y800-8-4	5000		344.5	96.3								
Y800-9-4	5600		385.9	96.3								
Y900-6-4	6300		433.7	96.4								
Y900-7-4	7100		488.2	96.5								
Y900-8-4	8000		549.5	96.6								
Y1000-6-4	9000		577.5	96.7								
Y1000-7-4	10000		685.5	96.8								
Y710-6-6	2000		1000	140.6	95.5				0.86	6.5	0.6	1.8
Y710-7-6	2240			157.3	95.6							
Y710-8-6	2500	175.4		95.7								
Y800-6-6	2800	196.2		95.8								
Y800-7-6	3150	220.5		95.9								
Y800-8-6	3550	248.2		96.0								
Y900-6-6	4000	279.4		96.1	0.87							
Y900-7-6	4500	314.0		96.1								
Y900-8-6	5000	344.9		96.2								
Y900-9-6	5600	386.3		96.2								
Y1000-6-6	6300	434.1		96.3								
Y1000-7-6	7100	488.7		96.4								
Y1000-8-6	8000	550.1		96.5								
Y710-6-8	1600	750		111.8	95.0	0.82	6.5	0.6	1.8			
Y710-7-8	1800			128.5	95.1							
Y710-8-8	2000		142.7	95.2								
Y710-9-8	2240		159.6	95.3								
Y800-6-8	2500		178.0	95.4	0.83							
Y800-7-8	2800		199.1	95.5								
Y900-6-8	3150		223.8	95.6								
Y900-7-8	3550		251.9	95.7	0.84							
Y1000-6-8	4000		280.3	95.8								
Y1000-7-8	4500		315.0	95.9								
Y1000-8-8	5000		349.6	96.0								

Y/YKS系列笼型高压三相异步电动机 (H710-1000mm) 10000V IP23/IP54 技术数据2

Y/YKS Series Squirrel Cage High Voltage Three Phase Asynchronous Motor (H710-1000mm) 10000V IP23/IP54 technical specification

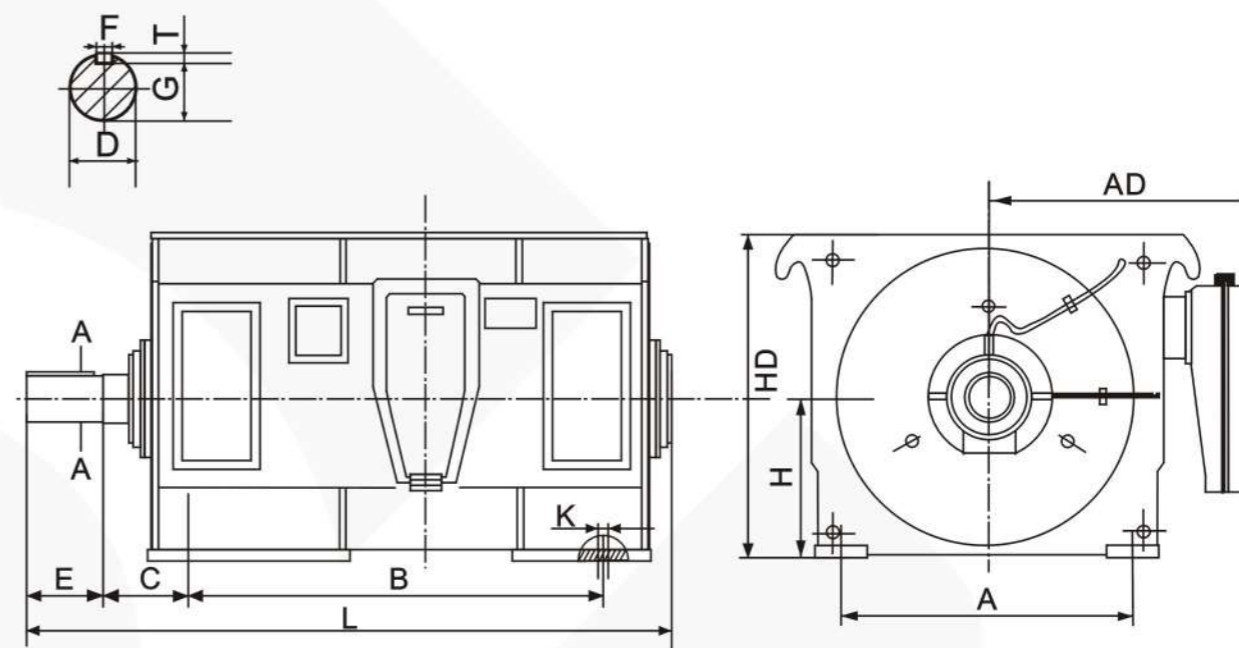
型号 Model	功率 Output(KW)	同步转速 Synchronous Speed(r/min)	额定电流 Rated Current(A)	效率 Efficiency(%)	功率因素 Power Factor (COS φ)	堵转电流 倍数 Locked rotor current (A)	堵转转矩 倍数 Locked rotor Torque Multiple	最大转矩 倍数 Max.Torque multiple				
Y710-6-10	1250	600	95.5	94.5	0.8	6.0	0.6	1.8				
Y710-7-10	1400		106.8	94.6								
Y710-8-10	1600		109.3	94.7								
Y800-6-10	1800		135.3	94.8	0.81							
Y800-7-10	2000		150.2	94.9								
Y800-8-10	2240		168.0	95.0	0.82							
Y900-6-10	2500		185.1	95.1								
Y900-7-10	2800		207.1	95.2								
Y1000-6-10	3150		229.9	95.3	0.83							
Y1000-7-10	3550		258.8	95.4								
Y1000-6-12	2500		500	190.3	94.8				0.8	6.0	0.6	1.8
Y1000-7-12	2800			212.9	94.9							
Y1000-8-12	3150	239.3		95.0								
Y1000-9-12	3550	269.4		95.1								

YKK系列笼型高压三相异步电动机 (H355-630mm) 6000V IP44/54 技术数据3

YKK Series Squirrel Cage High Voltage Three Phase Asynchronous Motor (H355-630mm) 6000V IP44/54 technical specification

型号 Model	功率 Output(KW)	同步转速 Synchronous Speed(r/min)	额定电流 Rated Current(A)	效率 Efficiency(%)	功率因素 Power Factor (COS φ)	堵转电流 倍数 Locked rotor current (A)	堵转转矩 倍数 Locked rotor Torque Multiple	最大转矩 倍数 Max.Torque multiple			
YKK5601-4	1250	1500	143.5	95.2	0.88	6.5	0.6	1.8			
YKK5602-4	1400		160.5	95.3							
YKK5603-4	1600		184.3	95.4							
YKK5601-6	900	1000	107.2	95.0	0.85	6.0	0.7				
YKK5602-6	1000		119	95.1							
YKK5603-6	1120		133.2	95.2							
YKK5601-8	630	750	78.2	94.5	0.82	6.0			0.7		
YKK5602-8	710		88.0	94.6							
YKK5603-8	800		99.1	94.7							
YKK5601-10	500	600	65.9	93.6	0.78	6.0				0.7	
YKK5602-10	560		73.7	93.7							
YKK5603-10	630		82.8	93.8							
YKK5604-10	710	500	93.1	94.0	0.74	6.0		0.7			
YKK5601-12	355		49.6	93.0							
YKK5602-12	400		55.8	93.3							
YKK5603-12	450	62.7	93.4								
YKK5604-12	500	69.4	93.7								
YKK6301-2	2000	3000	228.5	95.7	0.88	7.0	0.6				1.8
YKK6302-2	2240		255.7	95.8							
YKK6303-2	2500		285.4	95.9							
YKK6301-4	1800	1500	206.1	95.5	0.88	6.5	0.6		1.8		
YKK6302-4	2000		228.9	95.6							
YKK6303-4	2240		255.9	95.7							
YKK6301-6	1250	1000	146.8	95.3	0.86	6.0	0.6			1.8	
YKK6302-6	1400		164.2	95.4							
YKK6303-6	1600		187.5	95.5							
YKK6301-8	900	750	108.8	94.8	0.84	6.0	0.6	1.8			
YKK6302-8	1000		120.7	94.9							
YKK6303-8	1120		135.1	95.0							
YKK6304-8	1250	500	150.6	95.1	0.80	6.0	0.6				1.8
YKK6301-10	800		102.2	94.2							
YKK6302-10	900		114.8	94.3							
YKK6303-10	1000	127.4	94.4								
YKK6304-10	1120	142.4	94.6								
YKK6301-12	560	500	75.6	93.8	0.76	6.0	0.6		1.8		
YKK6302-12	630		84.9	93.9							
YKK6303-12	710		95.6	94.0							
YKK6304-12	800		107.5	94.2							

Y系列6kV/10kV IP23 (H710-1000mm) IMB3 外型与安装尺寸表 Y series kV/10kV IP23 (H710-1000mm) IMB3 Outline and mounting dimensions tablet



单位: mm

机座号 Frame	安装尺寸 mounting dimensions										外型尺寸 Outline dimensions		
	A	B	C	D	E	F	G	T	H	K	AD	HD	L
710	1400	1800	530 (355)	200	350	45	185	25	710	56	1270	1510	3200
800	1600	2000		220		50	203	28	800		1420	1700	3200
900	1800	2240	600	250	410	56	230	32	900	66	1650	1900	3800
1000	2000	2500		280	470	63	260	32	1000		1800	2100	3800

1) 当采用滑动轴承时, C尺寸偏差为±4.0不包括轴向窜动量。当采用滚动轴承时, 参考括号中尺寸。(710-6-16; 800-8-16可提供滚动轴承结构产品。900, 1000机座号所有极数均按滑动轴承供货)。

注: 图中尺寸仅供参考, 订货时以本公司提供的外形及安装尺寸图为准。

YKK系列笼型高压三相异步电动机 (H355-630mm) 6000V IP44/54 技术数据1

YKK Series Squirrel Cage High Voltage Three Phase Asynchronous Motor (H355-630mm) 6000V IP44/54 technical specification

型号 Model	功率 Output(KW)	同步转速 Synchronous Speed(r/min)	额定电流 Rated Current(A)	效率 Efficiency(%)	功率因素 Power Factor (COS φ)	堵转电流 倍数 Locked rotor current (A)	堵转转矩 倍数 Locked rotor Torque Multiple	最大转矩 倍数 Max.Torque multiple
YKK3551-2	220	3000	26.9	92.5	0.85	7.0	0.6	1.8
YKK3552-2	250		30.6	92.6				
YKK3553-2	280		34.2	92.8				
YKK3554-2	315		38.3	93.1				
YKK3551-4	185	1500	22.6	92.8	0.86	6.5	0.7	1.8
YKK3552-4	200		24.4	92.9				
YKK3553-4	220		26.8	93				
YKK3554-4	250		30.4	93.1				
YKK4002-2	355	3000	42.5	93.4	0.82	7.0	0.6	1.8
YKK4003-2	400		47.7	93.7				
YKK4004-2	450		53.5	94.0				
YKK4005-2	500		59.3	94.2				
YKK4002-4	280	1500	33.6	93.2	0.86	6.5	0.7	1.8
YKK4003-4	315		37.8	93.3				
YKK4004-4	355		42.5	93.5				
YKK4005-4	400		47.5	93.7				
YKK4006-4	450	1000	53.6	93.9	0.82	6.0	0.7	1.8
YKK4001-6	185		23.5	92.4				
YKK4002-6	200		25.3	92.6				
YKK4003-6	220		27.8	92.8				
YKK4004-6	250	750	31.5	93.0	0.78	5.5	0.8	1.8
YKK4005-6	280		35.2	93.3				
YKK4006-6	315		39.5	93.5				
YKK4004-8	185		24.6	92.5				
YKK4005-8	200	3000	26.6	92.7	0.86	7.0	0.6	1.8
YKK4006-8	220		29.6	92.9				
YKK4502-2	560		66.3	94.4				
YKK4503-2	630		73.6	94.6				
YKK4504-2	710	1500	82.9	94.7	0.86	6.5	0.7	1.8
YKK4505-2	800		93.3	94.8				
YKK4502-4	500		59.9	94.0				
YKK4503-4	560		66.5	94.2				
YKK4504-4	630	1000	74.6	94.4	0.83	6.0	0.6	1.8
YKK4505-4	710		84.0	94.6				
YKK4502-6	355		43.9	93.7				
YKK4503-6	400		49.4	93.8				
YKK4504-6	450	3000	55.4	94.1	0.88	7.0	0.6	1.8
YKK4505-6	500		61.4	94.3				

YKK系列笼型高压三相异步电动机 (H355-630mm) 6000V IP44/54 技术数据2

YKK Series Squirrel Cage High Voltage Three Phase Asynchronous Motor (H355-630mm) 6000V IP44/54 technical specification

型号 Model	功率 Output(KW)	同步转速 Synchronous Speed(r/min)	额定电流 Rated Current(A)	效率 Efficiency(%)	功率因素 Power Factor (COS φ)	堵转电流 倍数 Locked rotor current (A)	堵转转矩 倍数 Locked rotor Torque Multiple	最大转矩 倍数 Max.Torque multiple
YKK4502-8	250	750	32.7	93.0	0.79	5.5	0.8	1.8
YKK4503-8	280		36.6	93.2				
YKK4504-8	315		41.0	93.4				
YKK4505-8	355		46.2	93.5				
YKK4501-10	185	600	25.9	91.7	0.75	5.5	0.8	1.8
YKK4502-10	200		27.9	91.9				
YKK4503-10	220		30.6	92.1				
YKK4504-10	250		34.5	92.3				
YKK4505-10	280	500	38.8	92.5	0.70			
YKK4503-12	185		27.7	91.8				
YKK4504-12	200		29.9	92.0				
YKK5001-2	900		3000	104.8				
YKK5002-2	1000	116.3		95.1				
YKK5003-2	1120	130.3		95.2				
YKK5004-2	1250	145.1		95.3				
YKK5001-4	800	1500	93.3	94.8	0.87	6.5	0.7	1.8
YKK5002-4	900		104.9	94.9				
YKK5003-4	1000		116.4	95.0				
YKK5004-4	1120		130.3	95.1				
YKK5001-6	560	1000	68.0	94.4	0.84	6.0	0.8	1.8
YKK5002-6	630		76.4	94.5				
YKK5003-6	710		85.8	94.8				
YKK5004-6	800		96.6	94.9				
YKK5001-8	400	750	51.3	93.7	0.80	5.5	0.8	1.8
YKK5002-8	450		57.7	93.8				
YKK5003-8	500		63.8	94.2				
YKK5004-8	560		71.4	94.4				
YKK5001-10	315	600	43.0	92.8	0.76	5.5	0.8	1.8
YKK5002-10	355		48.3	93.0				
YKK5003-10	400		54.2	93.3				
YKK5004-10	450		61	93.4				
YKK5001-12	220	500	31.9	92.2	0.72	5.5	0.8	1.8
YKK5002-12	250		36.1	92.5				
YKK5003-12	280		40.3	92.7				
YKK5004-12	315		45.3	92.8				
YKK5601-2	1400	3000	160.4	95.4	0.88	7.0	0.6	1.8
YKK5602-2	1600		183.2	95.5				
YKK5603-2	1800		205.9	95.6				

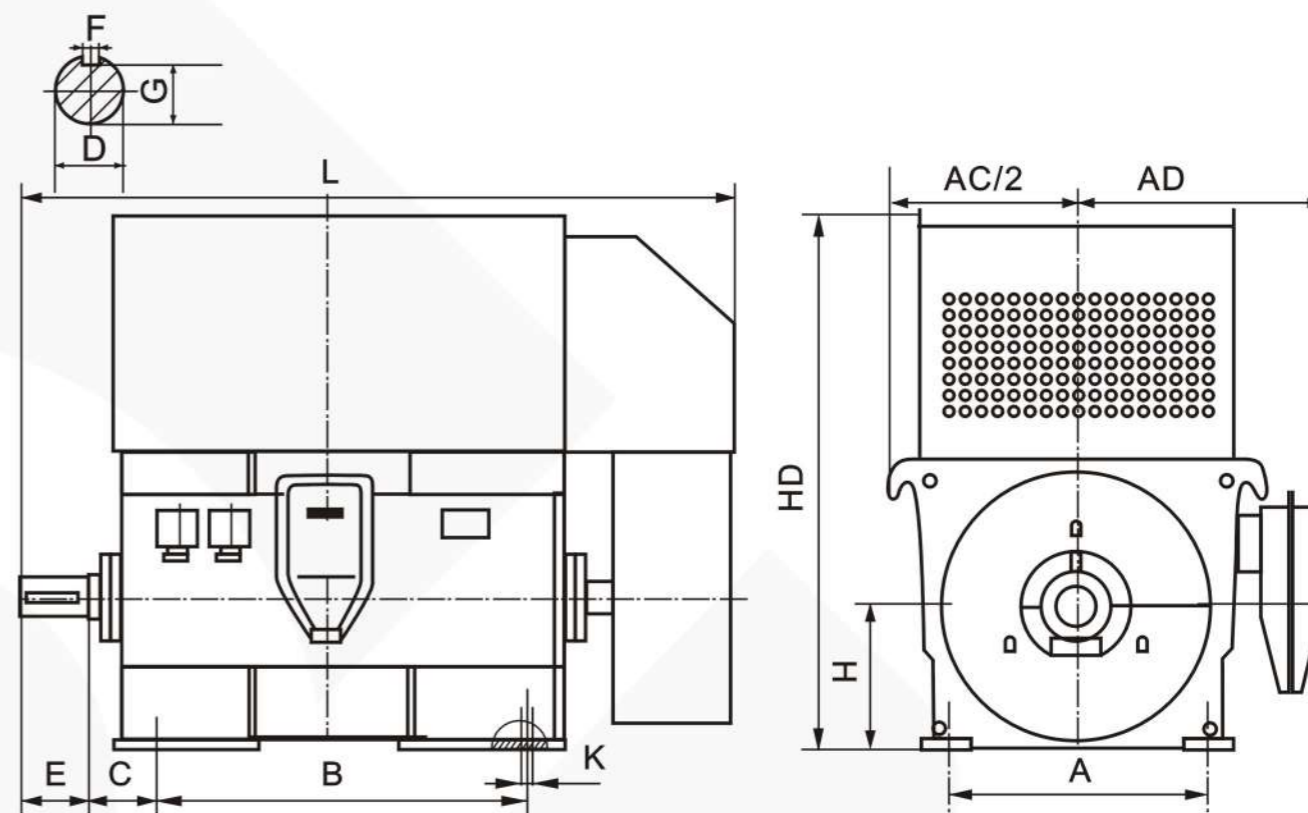
YKS系列笼型高压三相异步电动机 (H355-630mm) 6000V IP44/54 技术数据4

YKS Series Squirrel Cage High Voltage Three Phase Asynchronous Motor (H450-630mm) 6000V IP44/54 technical specification

型号 Model	功率 Output(KW)	同步转速 Synchronous Speed(r/min)	额定电流 Rated Current(A)	效率 Efficiency(%)	功率因素 Power Factor (COS φ)	堵转电流 倍数 Locked rotor current (A)	堵转转矩 倍数 Locked rotor Torque Multiple	最大转矩 倍数 Max.Torque multiple		
YKS5601-6	1120	1000	131.3	95.4	0.86	6.5	0.7	1.8		
YKS5602-6	1250		146.4	95.5						
YKS5603-6	1400		163.8	95.6						
YKS5601-8	800	750	96.7	94.7	0.84	6.0	1.8			
YKS5602-8	900		100.7	94.8						
YKS5603-8	1000		120.7	94.9						
YKS5601-10	710	600	88.6	94.0	0.82	6.0			1.8	
YKS5602-10	800		99.6	94.2						
YKS5603-10	900		112	94.3						
YKS5601-12	500	500	65	93.7	0.79	6.5				1.8
YKS5602-12	560		72.7	93.8						
YKS5603-12	630		81.7	93.9						
YKS6301-2	2500	3000	280.9	96.2	0.89	7.0		1.8		
YKS6302-2	2800		314.3	96.3						
YKS6303-2	3150		355.5	96.3						
YKS6301-4	2240	1500	252.2	96.0	0.89	6.5	1.8			
YKS6302-4	2500		281.1	96.1						
YKS6303-4	2800		314.7	96.2						
YKS6301-6	1600	1000	187.0	95.7	0.86	6.0			1.8	
YKS6302-6	1800		210.2	95.8						
YKS6303-6	2000		231.7	95.9						
YKS6301-8	1120	750	135.0	95.0	0.84	6.0				1.8
YKS6302-8	1250		150.6	95.1						
YKS6303-8	1400		168.5	95.2						
YKS6304-8	1600	600	192.3	95.3	0.82	6.0		1.8		
YKS6301-10	1000		124.3	94.4						
YKS6302-10	1120		138.9	94.6						
YKS6303-10	1250	500	154.7	94.8	0.79	6.0	1.8			
YKS6304-10	1400		173.1	94.9						
YKS6301-12	710		92.0	94.0						
YKS6302-12	800	500	103.4	94.2	0.79	6.0			1.8	
YKS6303-12	900		116.2	94.3						
YKS6304-12	1000		129.0	94.4						

YKK系列6kV IP44/54 (H355-630mm) IMB3 外型与安装尺寸表

YKK series 6kV IP44/54 (H355-630mm) IMB3 Outline and mounting dimensions tablet



单位: mm

机座号 Frame	极数 No. of poles	安装尺寸 mounting dimensions									外型尺寸 Outline dimensions				
		A	B	C	D	E	F	G	H	K	AC	AD	HD	L	
355	2	630	900	315	80	170	22	71	355	28	1120	1000	1500	2200	
	4-6				100	210	28	90							
400	2	710	1000	375	90	170	25	81	400	35	1260	1050	1700	2400	
	4-10			335	110	28	100								
450	2	800	1120	400	100	210	28	90	450	42	1420	1100	1900	2600	
	4			355	120			32							109
	6-12			130	250			32							119
500	2	900	1250	560	110	250	28	100	500	42	1600	1150	2200	2900	
	4			475	130			32							119
	6-12			140	250			36							128
560	2	1000	1400	560	130	300	32	119	560	48	1800	1250	2400	3200	
	4			500	150			36							138
	6-12			160	300			40							147
630	2	1120	1600	560	140	300	36	128	630	48	2000	1300	2700	3500	
	4			530	170			40							157
	6-12			180	300			45							165

1) 当采用滑动轴承时, C尺寸偏差为 ±4.0 不包括轴向窜动量。
注: 图中尺寸仅供参考, 订货时以制造厂提供的外形及安装尺寸图为准。

YKS系列笼型高压三相异步电动机 (H355-630mm) 6000V IP44/54 技术数据2

YKS Series Squirrel Cage High Voltage Three Phase Asynchronous Motor (H450-630mm) 6000V IP44/54 technical specification

型号 Model	功率 Output(KW)	同步转速 Synchronous Speed(r/min)	额定电流 Rated Current(A)	效率 Efficiency(%)	功率因素 Power Factor (COS φ)	堵转电流 倍数 Locked rotor current (A)	堵转转矩 倍数 Locked rotor Torque Multiple	最大转矩 倍数 Max.Torque multiple	
YKS4002-8	200	750	26.5	92.8	0.78	5.5	0.8	1.8	
YKS4003-8	220		29.2	92.9					
YKS4004-8	250		32.7	93.0	0.79				
YKS4005-8	280		36.6	93.2					
YKS4003-10	160	600	22.4	91.5	0.75	5.5			
YKS4004-10	185		25.9	91.7					
YKS4005-10	200		27.9	91.9				0.76	
YKS4501-2	710	3000	82.6	95.0	0.87	7.0	0.6		
YKS4502-2	800		92.9	95.2					
YKS4503-2	900		104.4	95.3					
YKS4504-2	1000		114.6	95.4					0.88
YKS4501-4	630	1500	73.5	94.8	0.87	6.5	0.7		
YKS4502-4	710		82.6	95.0					
YKS4503-4	800		93.0	95.1					
YKS4504-4	900		104.5	95.2					
YKS4501-6	450	1000	54.6	94.3	0.84	6.0	0.7		
YKS4502-6	500		59.9	94.5					
YKS4503-6	560		66.9	94.7					0.85
YKS4504-6	630		75.2	94.8					
YKS4501-8	315	750	40.5	93.4	0.80	5.5	0.8	1.8	
YKS4502-8	355		45.6	93.5					
YKS4503-8	400		51.3	93.7					
YKS4504-8	450		57	93.8					0.81
YKS4501-10	220	600	29.8	92.1	0.77	5.5	0.8		
YKS4502-10	250		33.4	92.3					
YKS4503-10	280		37.3	92.5					0.78
YKS4504-10	315		41.4	92.6					
YKS4505-10	355		46.6	92.8	0.79				
YKS4501-12	160	500	23.5	90.7	0.72	5.5	0.6		
YKS4502-12	185		27.2	90.9					
YKS4503-12	200		29.3	91.1					
YKS4504-12	220		31.7	91.4					0.73
YKS4505-12	250		35.9	91.7					

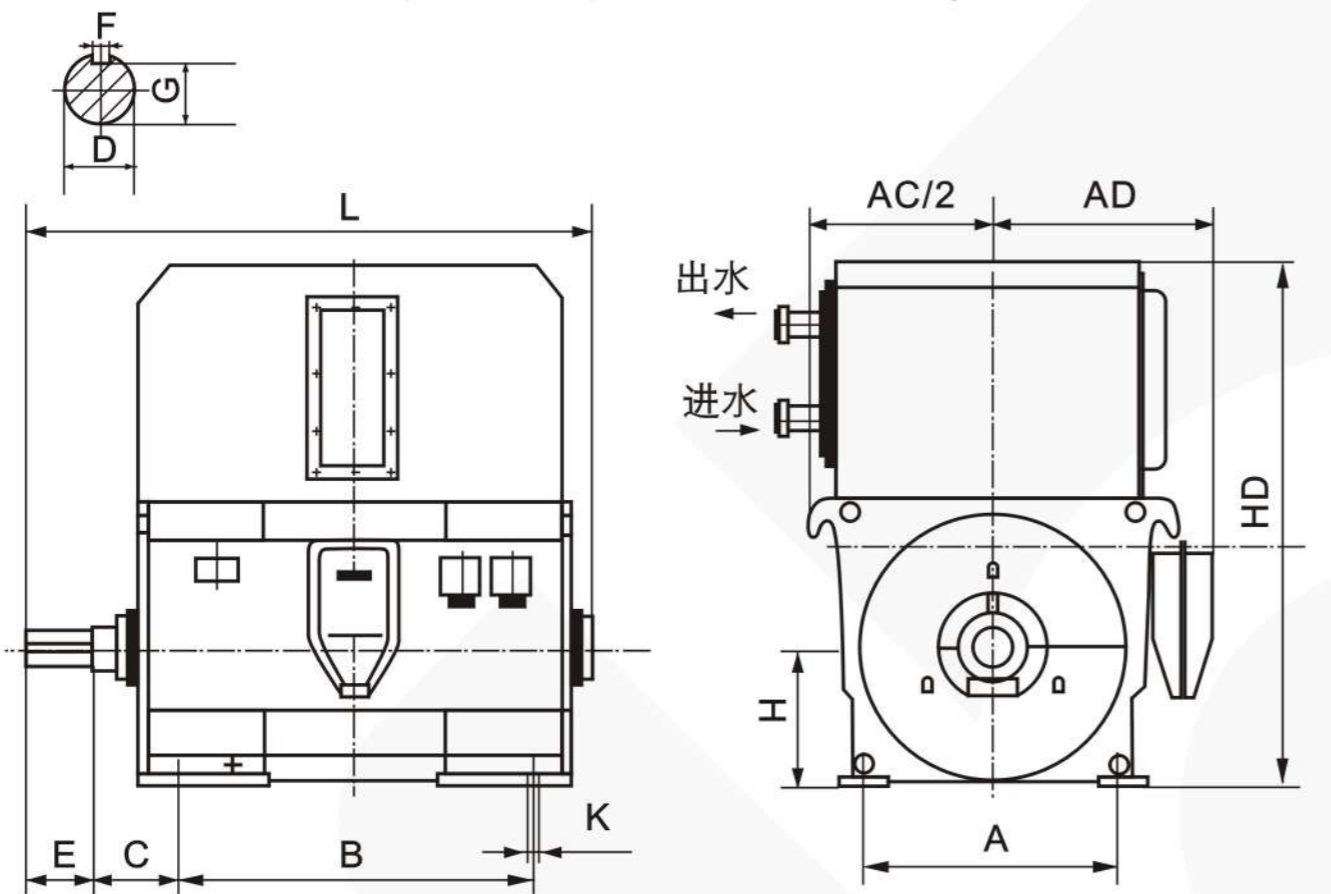
YKS系列笼型高压三相异步电动机 (H355-630mm) 6000V IP44/54 技术数据3

YKS Series Squirrel Cage High Voltage Three Phase Asynchronous Motor (H450-630mm) 6000V IP44/54 technical specification

型号 Model	功率 Output(KW)	同步转速 Synchronous Speed(r/min)	额定电流 Rated Current(A)	效率 Efficiency(%)	功率因素 Power Factor (COS φ)	堵转电流 倍数 Locked rotor current (A)	堵转转矩 倍数 Locked rotor Torque Multiple	最大转矩 倍数 Max.Torque multiple
YKS5001-2	1120	3000	128.2	95.5	0.88	7.0	0.6	
YKS5002-2	1250		143.0	95.6				
YKS5003-2	1400		159.9	95.7				
YKS5004-2	1600		182.6	95.8				
YKS5001-4	1000	1500	116.0	95.3	0.87	6.5	0.7	
YKS5002-4	1120		128.3	95.4				
YKS5003-4	1250		143.1	95.5				
YKS5004-4	1400		160.1	95.6				
YKS5001-6	710	1000	84.6	95.0	0.85	6.0	0.7	
YKS5002-6	800		95.2	95.1				
YKS5003-6	900		107.0	95.2				
YKS5004-6	1000		118.8	95.3				
YKS5001-8	500	750	63.0	94.3	0.81	5.5	0.8	1.8
YKS5002-8	560		69.6	94.4				
YKS5003-8	630		78.2	94.5				
YKS5004-8	710		88.1	94.6				
YKS5001-10	400	600	51.5	93.3	0.80	5.5	0.8	
YKS5002-10	450		57.9	93.4				
YKS5003-10	500		64.2	93.6				
YKS5004-10	560		71.8	93.7				
YKS5005-10	630		80.8	93.8	0.74			
YKS5001-12	280	500	39.2	92.7	0.75	5.5	0.6	
YKS5002-12	315		43.5	92.8				
YKS5003-12	355		48.9	93.0				
YKS5004-12	400		55.0	93.3				
YKS5005-12	450		61.8	93.4				
YKS56-1-2	1800	3000	205.2	95.9	0.88	7.0	0.6	
YKS5602-2	2000		227.8	96.0				
YKS5603-2	2240		254.8	96.1				
YKS5601-4	1600	1500	180.7	95.7	0.89	6.5	0.6	
YKS5602-4	1800		203.1	95.8				
YKS5603-4	2000		254.4	95.9				

YKS系列6kV IP44/54(H355-630mm) IMB3 外型与安装尺寸表

YKS series 6KV IP44/54 (H450-630mm) IMB3 Outline and mounting dimensions tablet.



单位: mm

机座号 Frame	极数 No. of poles	安装尺寸 mounting dimensions								外型尺寸 Outline dimensions				
		A	B	C	D	E	F	G	H	K	AC	AD	HD	L
355	2	630	900	315	80	170	22	71	355	28	1120	1000	2150	1870
	4-6				100	210	28	90						
400	2	710	1000	375	90	170	25	81	400	35	1260	1050	2350	2090
	4-10			335	110	28	100							
450	2	800	1120	400	100	210	28	90	450	35	1420	1100	2500	2340
	4			120	109									
	6-12			355	130	250	32	119						2180
500	2	900	1250	560	110	210	28	100	500	42	1600	1150	2500	2790
	4			475	130	32	119	2550						
	6-12			140	36	128								
560	2	1000	1400	560	130	250	32	119	560	42	1800	1250	2550	3020
	4			500	150			36						138
	6-12			160	300	40	147							
630	2	1120	1600	560	140	250	36	128	630	48	2000	1300	2850	3200
	4			530	170	40	157	3100						
	6-12			180	45	165								

1) 当采用滑动轴承时, C尺寸偏差为±4.0不包括轴向窜动量。
注: 图中尺寸仅供参考, 订货时以制造厂提供的外形及安装尺寸图为准。

YKS系列笼型高压三相异步电动机 (H355-630mm) 6000V IP44/54 技术数据1

YKS Series Squirrel Cage High Voltage Three Phase Asynchronous Motor (H450-630mm) 6000V IP44/54 technical specification

型号 Model	功率 Output(KW)	同步转速 Synchronous Speed(r/min)	额定电流 Rated Current(A)	效率 Efficiency(%)	功率因素 Power Factor (COS φ)	堵转电流 倍数 Locked rotor current (A)	堵转转矩 倍数 Locked rotor Torque Multiple	最大转矩 倍数 Max.Torque multiple		
YKS3551-2	220	3000	26.5	92.8	0.86	7.0	0.6	1.8		
YKS3552-2	250		30.1	92.9						
YKS3553-2	280		33.7	93.1						
YKS3554-2	315		37.7	93.4						
YKS3555-2	355		42.2	93.7						
YKS3556-2	400		47.6	94.1						
YKS3551-4	185	1500	22.8	93.1	0.84	6.5	1.8			
YKS3552-4	200		24.6	93.2						
YKS3553-4	220		26.7	93.3						
YKS3554-4	250		30.3	93.4						
YKS3555-4	280		33.5	93.5						
YKS3556-4	315		37.7	93.6						
YKS3552-6	160	1000	20.6	92.4	0.81	6.0	0.7			
YKS3553-6	185		23.7	92.6						
YKS3554-6	200		25.6	92.8						
YKS3555-6	220		27.8	93.0						
YKS3556-6	250		31.4	93.3						
YKS3555-8	160		750	21.6				92.4	0.77	5.5
YKS3556-8	185	25.0		92.6						
YKS4001-2	450	3000	53.3	94.4	0.86	7.0	0.6			
YKS4002-2	500		58.5	94.6						
YKS4003-2	560		65.4	94.7						
YKS4004-2	630		73.4	94.9						
YKS4001-4	355		1500	42.3				93.8	0.86	6.5
YKS4002-4	400			47.6				94.0		
YKS4003-4	450	53.4		94.2						
YKS4004-4	500	58.6		94.3						
YKS4005-4	560	65.5		94.5						
YKS4006-4	630	73.4		94.9						
YKS4002-6	280	1000	34.7	93.5	0.83	6.0				
YKS4003-6	315		38.9	93.7						
YKS4004-6	355		43.8	93.9						
YKS4005-6	400		49.3	94.0						
YKS4006-6	450		53.3	94.4						
YKS4006-8	185		750	21.6			92.6	0.77	5.5	0.8

Y/YKS系列笼型高压三相异步电动机 (H710-1000mm) 6000V IP23/IP54 技术数据3

Y/YKS Series Squirrel Cage High Voltage Three Phase Asynchronous Motor (H710-1000mm) 6000V IP23/IP54 technical specification

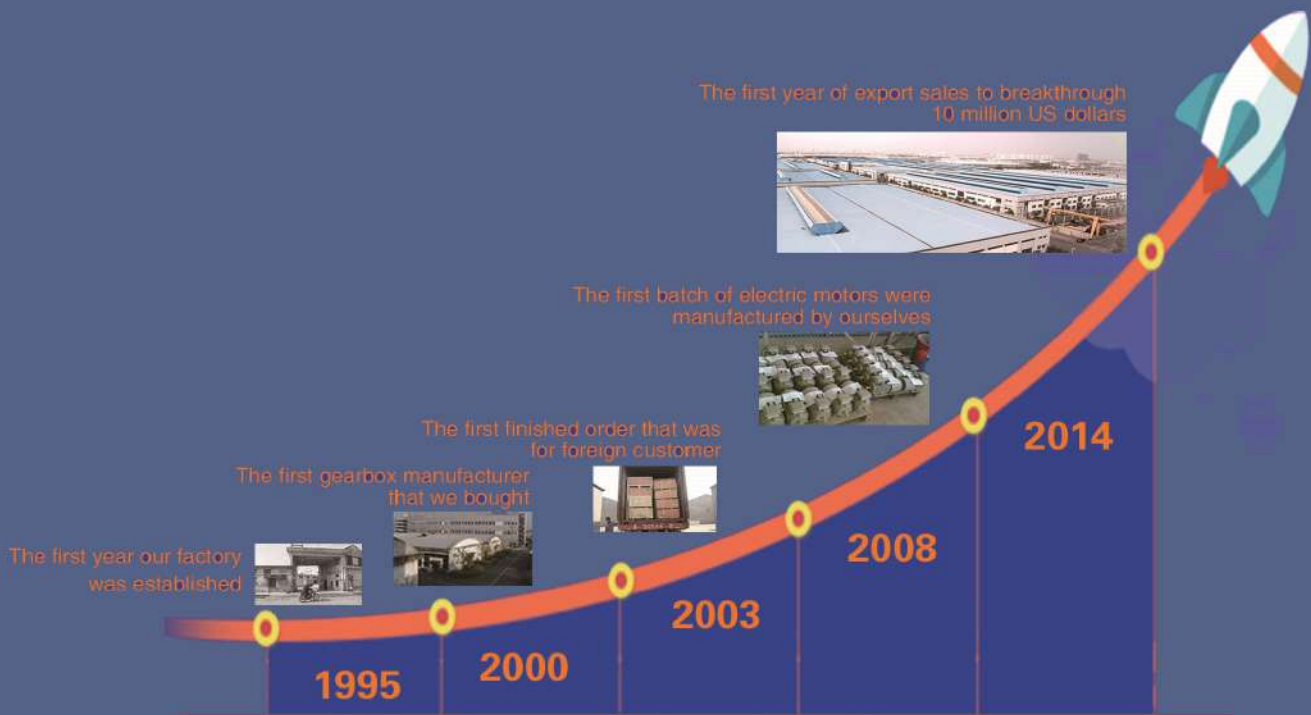
型号 Model	功率 Output(KW)	同步转速 Synchronous Speed(r/min)	额定电流 Rated Current(A)	效率 Efficiency(%)	功率因素 Power Factor (COS φ)	堵转电流 倍数 Locked rotor current (A)	堵转转矩 倍数 Locked rotor Torque Multiple	最大转矩 倍数 Max.Torque multiple				
Y710-1-4	3150	1500	361.8	96.3	0.87	6.5	0.5	1.8				
Y710-2-4	3550		407.7	96.3								
Y710-3-4	4000		458.9	96.4								
Y710-4-4	4500		516.9	96.4								
Y800-1-4	5000		566.6	96.5	0.88							
Y800-2-4	5600		634.6	96.5								
Y800-3-4	6300		713.2	96.6								
Y900-1-4	7100		802.9	96.7								
Y900-2-4	8000		903.7	96.8								
Y900-3-4	9000		1015.6	96.9								
Y710-1-6	2240		1000	261.0	96.0				0.86	6.5	0.6	1.8
Y710-2-6	2500			291.1	96.1							
Y710-3-6	2800	326.0		96.1								
Y710-4-6	3150	366.4		96.2								
Y800-1-6	3550	412.9		96.2								
Y800-2-6	4000	465.3		96.3								
Y800-3-6	4500	522.9		96.3	0.87							
Y800-4-6	5000	580.4		96.4								
Y900-1-6	5600	642.5		96.4								
Y900-2-6	6300	722.1		96.5								
Y900-3-6	7100	812.9		96.6								
Y1000-1-6	8000	915.1		96.7								
Y1000-2-6	9000	1028.4		96.8								
Y1000-3-6	10000	1141.5		96.9								
Y710-1-8	1800	750		213.6	95.4	0.85	6.5	0.6	1.8			
Y710-2-8	2000			237.1	95.5							
Y710-3-8	2240			265.3	95.6							
Y800-1-8	2500			295.7	95.7							
Y800-2-8	2800		330.9	95.8								
Y800-3-8	3150		372.2	95.8	0.86							
Y800-4-8	3550		419.1	95.9								
Y900-1-8	4000		471.7	96.0								
Y900-2-8	4500		514.0	96.1								
Y900-3-8	5000		582.2	96.2								
Y1000-1-8	5600		651.4	96.2								
Y1000-2-8	6300		732.0	96.3								
Y1000-3-8	7100		824.1	96.4								
Y1000-4-8	8000		927.6	96.5								
Y710-1-10	1600		600	195.3	95.0	0.83				6.0		
Y710-2-10	1800			219.4	95.1							

Y/YKS系列笼型高压三相异步电动机 (H710-1000mm) 10000V IP23/IP54 技术数据4

Y/YKS Series Squirrel Cage High Voltage Three Phase Asynchronous Motor (H710-1000mm) 10000V IP23/IP54 technical specification

型号 Model	功率 Output(KW)	同步转速 Synchronous Speed(r/min)	额定电流 Rated Current(A)	效率 Efficiency(%)	功率因素 Power Factor (COS φ)	堵转电流 倍数 Locked rotor current (A)	堵转转矩 倍数 Locked rotor Torque Multiple	最大转矩 倍数 Max.Torque multiple					
Y710-3-10	2000	600	243.6	95.2	0.83	6.0	0.6	1.8					
Y800-1-10	2240		272.5	95.3									
Y800-2-10	2500		303.8	95.4									
Y800-3-10	2800		339.9	95.5									
Y900-1-10	3150		377.5	95.6	0.84								
Y900-2-10	3550		425.0	95.7									
Y900-3-10	4000		478.3	95.8									
Y900-4-10	4500		538.1	95.8									
Y1000-1-10	5000		597.3	95.9									
Y1000-2-10	5600		668.9	95.9									
Y1000-3-10	6300		751.8	96									
Y1000-4-10	7100		847.2	96									
Y710-1-12	1120	500	144.4	94.5	0.79	6.0	0.6	1.8					
Y710-2-12	1250		161.0	94.6									
Y710-3-12	1400		180.1	94.7									
Y800-1-12	1600		203.2	94.7									
Y800-2-12	1800		228.4	94.8									
Y800-3-12	2000		253.5	94.9					0.80				
Y800-4-12	2240		283.6	95.0									
Y900-1-12	2500		312.0	95.2									
Y900-2-12	2800		349.0	95.3									
Y900-3-12	3150		392.3	95.4									
Y1000-1-12	3550		441.6	95.5	0.81								
Y1000-2-12	4000		497.1	95.6									
Y1000-3-12	4500		559.2	95.6									
Y1000-4-12	5000		620.7	95.7									
Y710-1-16	630		375	89.2					93.1	0.73	6.0	0.6	1.8
Y710-2-16	710			100.3					93.3				
Y710-3-16	800			112.9	93.4								
Y710-4-16	900			126.9	93.5								
Y800-1-16	1000	138.9		93.6	0.74								
Y800-2-16	1120	155.4		93.7									
Y800-3-16	1250	173.3		93.8									
Y800-4-16	1400	193.9		93.9									
Y900-1-16	1600	218.4		94.0		0.75							
Y900-2-16	1800	245.4		94.1									
Y900-3-16	2000	272.4		94.2									
Y1000-1-16	2240	304.8		94.3									
Y1000-2-16	2500	339.8	94.4										
Y1003-3-16	2800	380.2	94.5										

Always chase the first since 1995



Tel:+86-535-6330966

Mobile:+86-18563806647

E-mail: info@sogears.com

Viber/Line/Whatsapp/Wechat: 008618563806647

Web: www.sogears.com(Skype: qingdao411)

Headquarters Address: Wujin, Changzhou City, Jiangsu Province,China