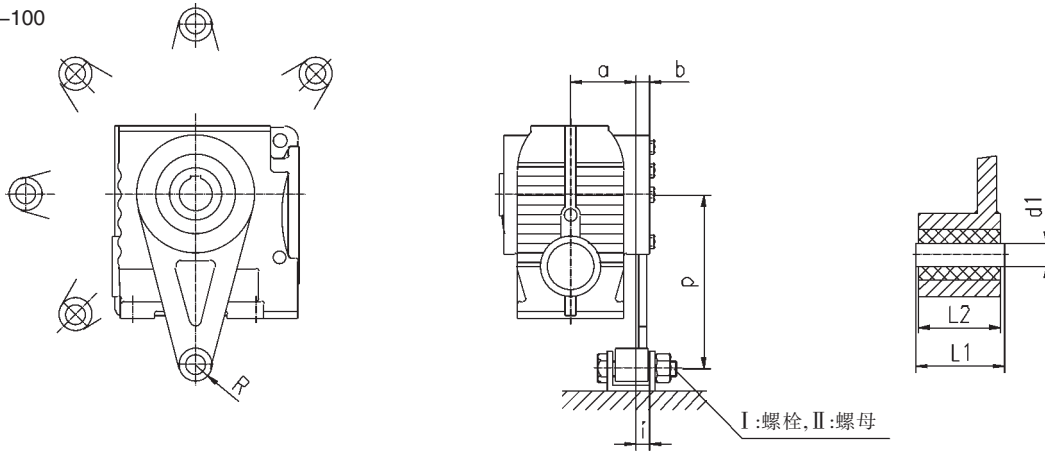


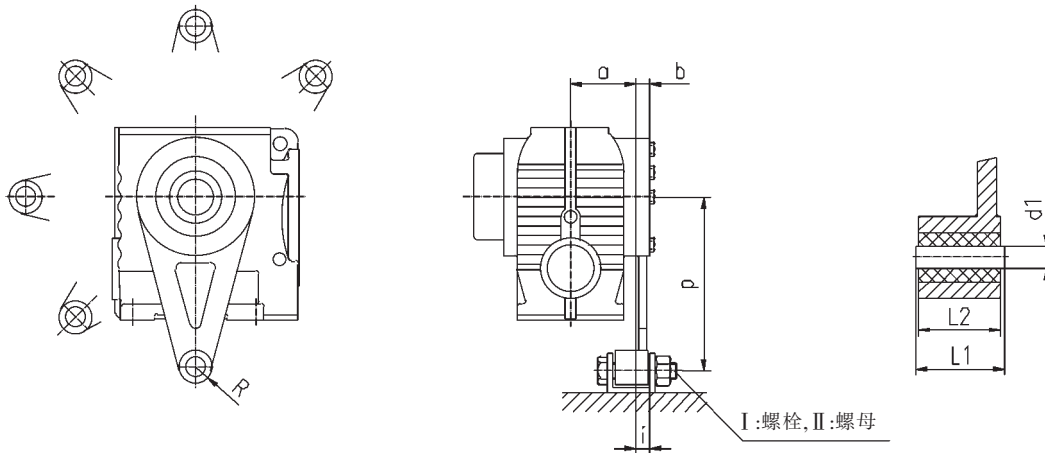
**GSAT37-100/GSHT47-97**  
安装结构尺寸

**GSAT37-100/GSHT47-97**  
Mounting Dimensional Description

GSAT37-100



GSHT47-97



机型号 Type Size	a	b	i	p	R	d <sub>1</sub>	L <sub>1-0.3</sub>	L <sub>2</sub>
GSAT37/GSHT37	57	10	26	110	21	10.4 <sup>+0.1</sup> <sub>-0.1</sub>	36	31
GSAT47/GSHT47	57.5	15	20.5	130	21	10.4 <sup>+0.1</sup> <sub>-0.1</sub>	36	31
GSAT57/GSHT57	72	15	18.5	160	21	10.4 <sup>+0.1</sup> <sub>-0.1</sub>	36	31
GSAT67/GSHT67	80.5	18	19.5	200	21	10.4 <sup>+0.1</sup> <sub>-0.1</sub>	36	31
GSAT77/GSHT77	101	18	32.5	250	30	16.4 <sup>+0.08</sup> <sub>-0.08</sub>	60	54
GSAT87/GSHT87	120	24	25.5	310	30	16.4 <sup>+0.08</sup> <sub>-0.08</sub>	60	54
GSAT97/GSHT97	140	26	33	380	40	25 <sup>+0.08</sup> <sub>-0.08</sub>	80	72
GSAT100	162	24	49	430	40	25 <sup>+0.08</sup> <sub>-0.08</sub>	80	74

其它尺寸请参照 GSA 和 GSH 型。

注: I :螺栓、II :螺母用户自配。

For other dimensions, see the type GSA and GSH.

Note: bolts I and nuts II are prepared by customers.