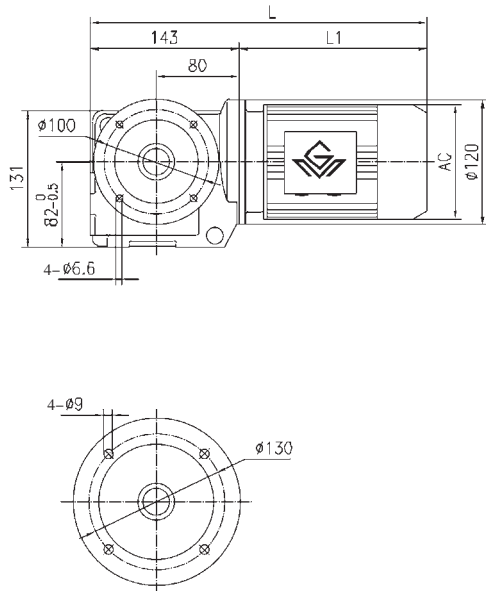
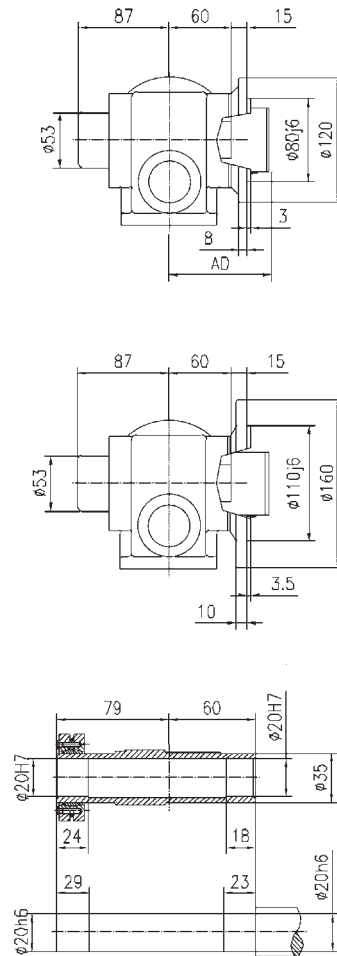


**GSHF37**  
安装结构尺寸



**GSHF37**  
Mounting Dimensional Description



电机机座号 Motor frame size	63	71	80	90S	90L					
AC	130	145	175	195	195					
AD	70	80	145	155	155					
L1	207	225	255	270	295					
L	350	368	398	413	438					

注:电机需方配或配特殊电机时需加联接法兰(见附录 D)

Note: When equipping the user's motor or the special one, the flange is required to connected.(Please see appendix D)