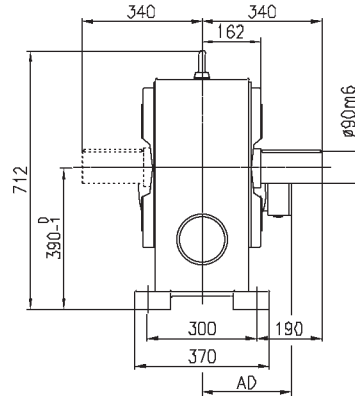
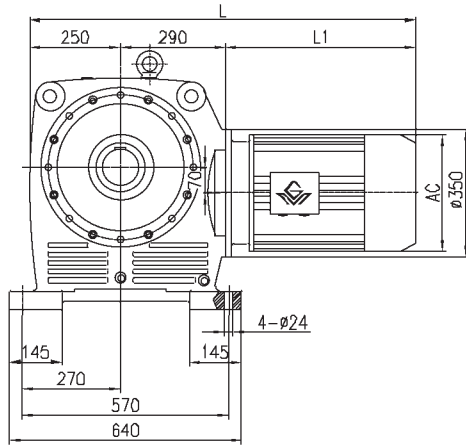


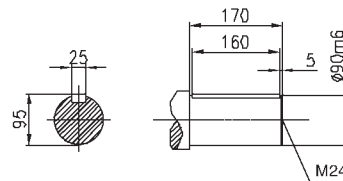
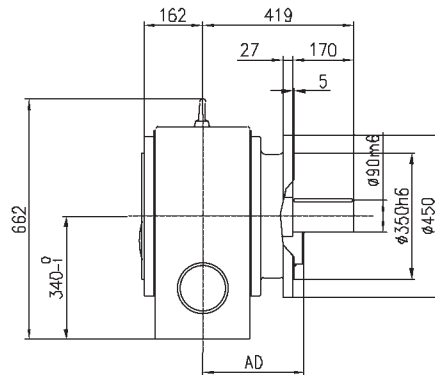
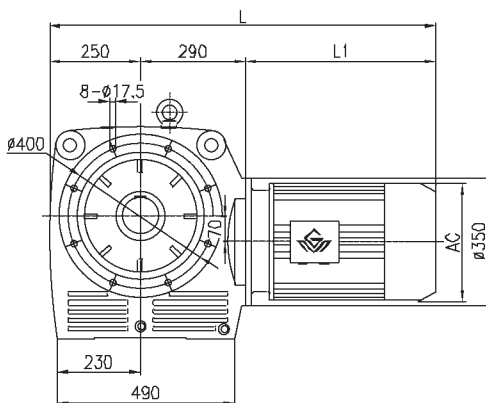
**GS100/GSF100**  
安装结构尺寸

**GS100/GSF100**  
Mounting Dimensional Description

GS100



GSF100



电机机座号 Motor frame size	100L	112M	132S	132M	160M	160L	180M	180L	200L
AC	215	240	275	275	330	330	380	380	420
AD	180	190	210	210	255	255	280	280	305
L1	325	340	390	430	505	560	590	630	660
L	865	880	930	970	1045	1100	1130	1170	1200

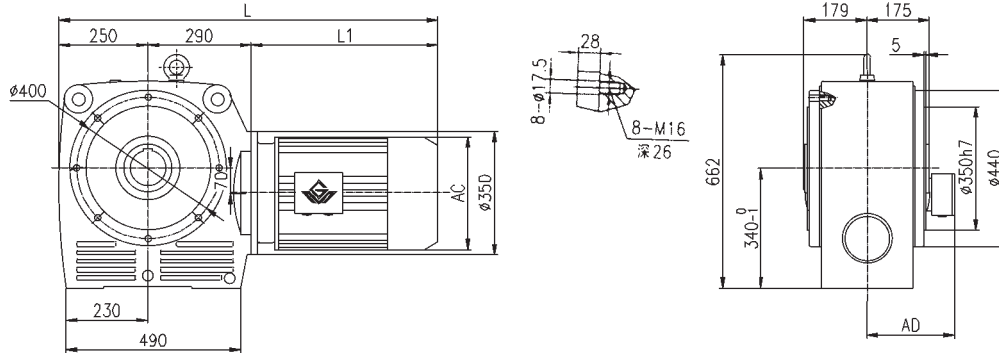
注:电机需方配或配特殊电机时需加联接法兰(见附录 D)

Note: When equipping the user's motor or the special one, the flange is required to connected.(Please see appendix D)

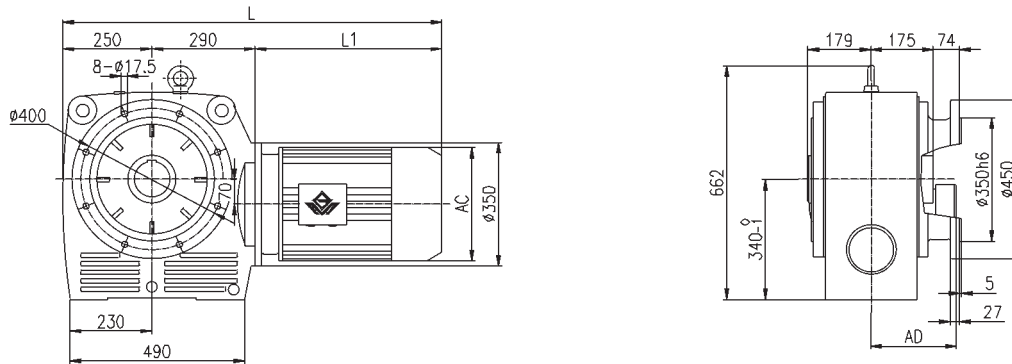
**GSA100/GSAF100**  
安装结构尺寸

**GSA100/GSAF100**  
Mounting Dimensional Description

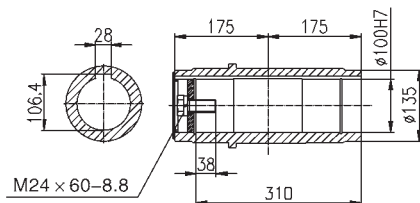
GSA100



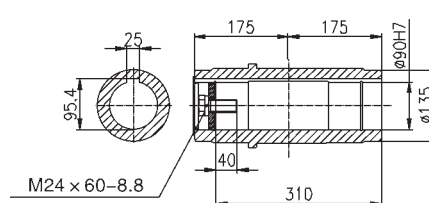
GSAF100



较大孔径 (The bigger diameter of bore)



较小孔径 (The smaller diameter of bore)



电机机座号 Motor frame size	100L	112M	132S	132M	160M	160L	180M	180L	200L
AC	215	240	275	275	330	330	380	380	420
AD	180	190	210	210	255	255	280	280	305
L1	325	340	390	430	505	560	590	630	660
L	865	880	930	970	1045	1100	1130	1170	1200

注: 电机需方配或配特殊电机时需加联接法兰 (见附录 D)

Note: When equipping the user's motor or the special one, the flange is required to connected. (Please see appendix D)