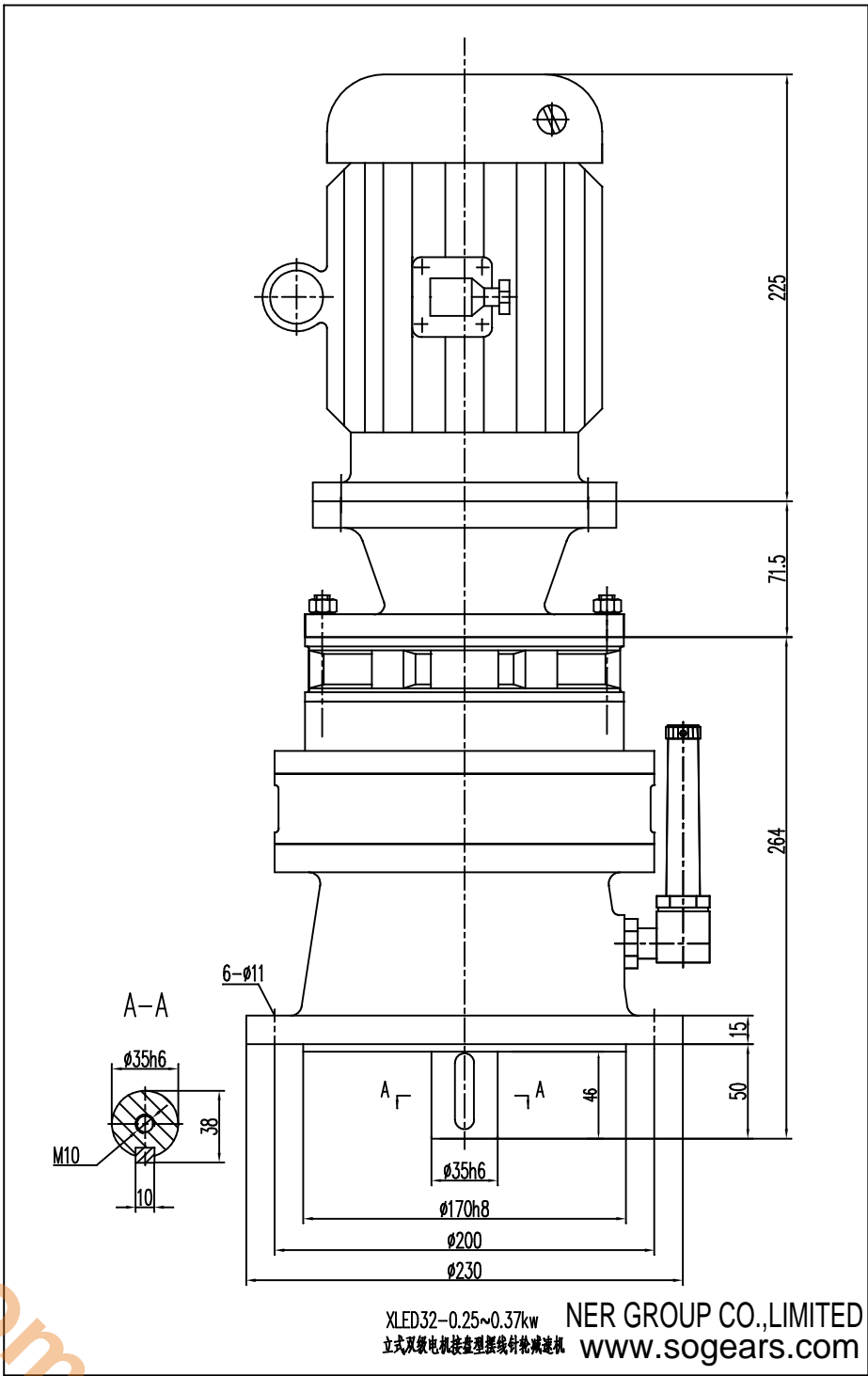


info@sogears.com



XLED32-0.25~0.37kw NER GROUP CO.,LIMITED
立式双级电机接盘型摆线针轮减速机 www.sogears.com